

Beyond functionality

Salvador Brackets

The Salvador bracket gives a dynamic look to a luminaire ensemble thanks to an extended, underlined, wavy shape.

Benefits

- Compatible with our Accante range of conical poles
- Compatible with all Philips standard and advanced public lighting systems

Features

- Available in single arm, double arm, pole-mounting and wall-mounting versions
- Length range: 750, 1000 or 1400mm
- Luminaire fixing: side-entry
- Optional luminous cap on the backside

Application

- Residential areas
- City centers, commercial districts
- Roads and streets

Versions

Salvador DA bracket-JRB350
S1400



Salvador Pole Wall bracket-
JRB350 S1000



Salvador Brackets

Versions

Salvador DA bracket-JRB350
S1000



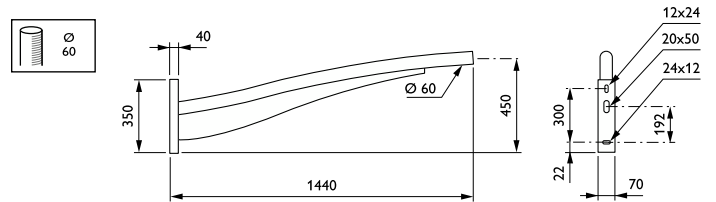
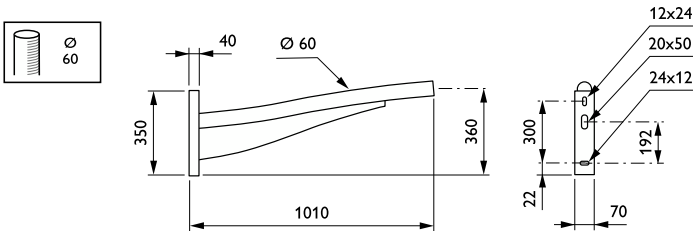
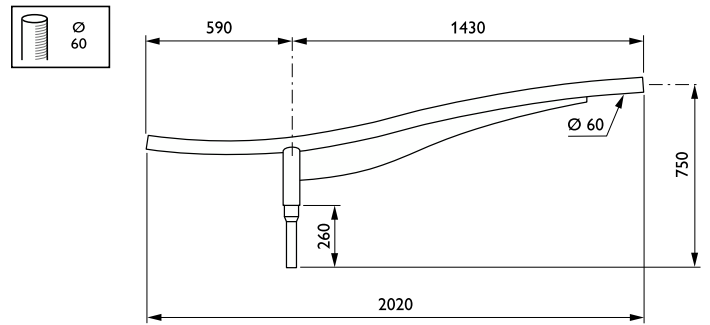
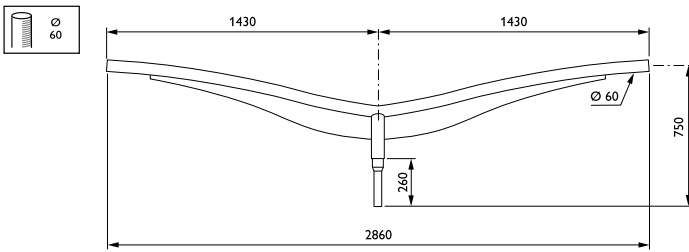
Salvador SA bracket-JRB350
S1400



Salvador SA bracket-JRB350
S1000



Dimensional drawing



Salvador Brackets

Dimensional drawing

