



Economy drivers – reliable and energy-efficient products for outdoor lighting

PrimaVision Economy for CPO

Highly reliable electronic drivers for CPO lamps; the drivers are designed for outdoor use and consume less energy than conventional alternatives.

Benefits

- When used together with the CPO lamp, the driver creates the most efficient white-light system available in the industry in its power range
- Up to 15% energy saving thanks to high driver efficiency (92%) and better wattage control at overvoltage (compared with magnetic ballasts)
- Unlike in many magnetic systems, where different elements fail at times, these drivers are so reliable that they do not require any attention whatsoever

Features

- Long lifetime of 60,000 hours, with minimum 90% survival at $T_c = 80\text{ }^\circ\text{C}$
- Surge protection of 4 kV/2 kA
- Protection against humidity and vibration
- Improved efficiency compared with magnetic ballasts

Application

- Residential lighting
- City beautification
- Road/highway lighting

PrimaVision Economy for CPO

Versions

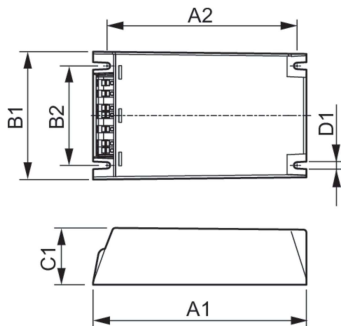


GPPR IPVECPO 0003



GPPR_IPVECPO_0004-Product photo

Dimensional drawing



Product

CertaVision CPO140

CertaVision CPO90

