



PrimaVision Economy (35, 50 and 70 W) for CDM – The cost- effective solution

PrimaVision Economy for CDM lamps

Single CDM lamp operation, single HID electronic gear – improves cost effectiveness and increases luminaire design flexibility

Benefits

- Cost-effective, plus design flexibility
- Optimal lamp performance thanks to minimal lamp power tolerance
- Lamp life increased by up to 30% for CDM lamps

Features

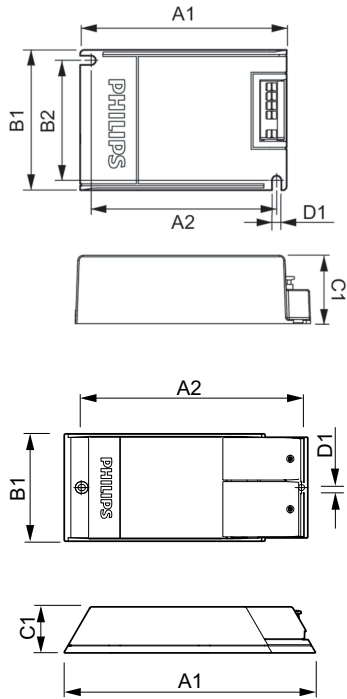
- Minimal lamp power spread
- Low gear energy losses
- Lamp end-of-life detection
- High Tambient and Tcase temperatures
- Lifetime of 30,000 hours

Application

- 35, 50 and 70 W: accent and decorative lighting for shops, public spaces, lobbies and offices
- Suitable for indoor use only
- Available in standard (S) and independent (I) versions

PrimaVision Economy for CDM lamps

Dimensional drawing



Product	D1	C1	A1	A2	B1	B2
HID-PV E 35 /S CDM 220-240V	4.9 mm	32.2 mm	109.6 mm	98.5 mm	74.4 mm	63.7 mm
HID-PV E 70 /S CDM 220-240V	4.9 mm	32.2 mm	109.6 mm	98.5 mm	74.4 mm	63.7 mm

Product	D1	C1	A1	A2	B1
HID-PV E 70 /I CDM 220-240V	4.8 mm	34.7 mm	189.2 mm	170.7 mm	83.5 mm

Operating and Electrical

Input Frequency	50 to 60 Hz
Input Voltage	220 to 240 V
Line Frequency	50 to 60 Hz

Operating and Electrical

Order Code	Full Product Name	Number of Products on MCB (16A Type B) (Nom)
913700680766	HID-PV E 35 /S CDM 220-240V	24
913700680866	HID-PV E 70 /I CDM 220-240V	20

Order Code	Full Product Name	Number of Products on MCB (16A Type B) (Nom)
913700680966	HID-PV E 70 /S CDM 220-240V	20

Mechanical and Housing

Order Code	Full Product Name	Housing
913700680766	HID-PV E 35 /S CDM 220-240V	/S
913700680866	HID-PV E 70 /I CDM 220-240V	/I

Order Code	Full Product Name	Housing
913700680966	HID-PV E 70 /S CDM 220-240V	/S

PrimaVision Economy for CDM lamps

