



UrbanStar – combining innovative design and LED performance

UrbanStar

In residential areas, the familiar conical luminaires equipped with PL-L or HPL lamps can now be replaced by a charming design luminaire incorporating leading-edge LED technology – without losing any of the visual balance and ambiance provided by the former solution. UrbanStar delivers outstanding levels of lighting and energy performance thanks to its optimized LED engine and its application tailored optics. It has been specially designed for residential applications, and its translucent cone delivers very comfortable light.

Benefits

- Up to 40% energy saving compared with PL-L
- Comfortable light creates atmosphere
- Equipped with Service tag, a QR-based identification system that makes each luminaire uniquely identifiable and provides maintenance, installation and spare part information

Features

- Optimized optics to deliver efficient and comfortable lighting levels
- Frosted protector
- Uniform light distribution

Application

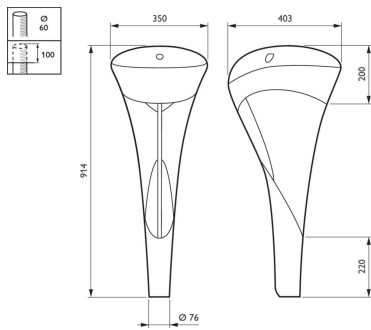
- Residential areas

Versions



OPPR BDS100i 0001

Dimensional drawing



General Information	
Driver included	Yes
Light source replaceable	Yes
Number of gear units	1 unit
Light Technical	
Upward light output ratio	0.03
Operating and Electrical	
Surge Protection (Common/Differential)	Luminaire surge protection level until 6 kV differential mode and 6 kV common mode
Mechanical and Housing	
Optical cover type	Polycarbonate bowl/cover
Housing Color	Gray
Mech. impact protection code	IK06
Ingress protection code	IP66
Standard tilt angle side entry	-
Standard tilt angle posttop	0°
Approval and Application	
CE mark	Yes
Flammability mark	-
Product Data	
Product family code	BDS100

General Information

Order Code	Full Product Name	Lamp family code	Service tag
912300023987	BDS100 LED23/830 II DM12 SGR C1K	LED23	-
912300023988	BDS100 LED22/740 I DM50 DGR CLO C5K	LED22	-
912300023989	BDS100 LED12/830 I DX10 DGR CLO-LS-8 50%	LED12	-
912300023990	BDS100 LED14/740 I DS50 DGR CLO-LS-8 50%	LED14	-
912300023991	BDS100 LED43/740 I DW50 DGR D9 C1K	LED43	Yes

Light Technical (1/2)

Order Code	Full Product Name	Luminaire light beam spread	Light source color	Correlated Color Temperature (Nom)	Color rendering index (CRI)
912300023987	BDS100 LED23/830 II DM12 SGR C1K	88° x 157°	830 warm white	3000 K	80
912300023988	BDS100 LED22/740 I DM50 DGR CLO C5K	30° - 5° x 153°	740 neutral white	4000 K	70
912300023989	BDS100 LED12/830 I DX10 DGR CLO-LS-8 50%	20° - 4° x 150°	830 warm white	3000 K	80

Order Code	Full Product Name	Luminaire light beam spread	Light source color	Correlated Color Temperature (Nom)	Color rendering index (CRI)
912300023990	BDS100 LED14/740 I DS50 DGR CLO-LS-8 50%	152° x 155°	740 neutral white	4000 K	70
912300023991	BDS100 LED43/740 I DW50 DGR D9 C1K	23° - 8° x 152°	740 neutral white	4000 K	70

Light Technical (2/2)

Order Code	Full Product Name	Luminous Flux	Optic type outdoor
912300023987	BDS100 LED23/830 II DM12 SGR C1K	1,955 lm	Distribution medium 12
912300023988	BDS100 LED22/740 I DM50 DGR CLO C5K	1,848 lm	Distribution medium 50
912300023989	BDS100 LED12/830 I DX10 DGR CLO-LS-8 50%	1,000 lm	Distribution extra wide 10

Order Code	Full Product Name	Luminous Flux	Optic type outdoor
912300023990	BDS100 LED14/740 I DS50 DGR CLO-LS-8 50%	1,188 lm	Distribution symmetrical 50
912300023991	BDS100 LED43/740 I DW50 DGR D9 C1K	3,741 lm	Distribution wide 50

Operating and Electrical

Order Code	Full Product Name	Power Consumption
912300023987	BDS100 LED23/830 II DM12 SGR C1K	18.2 W
912300023988	BDS100 LED22/740 I DM50 DGR CLO C5K	13.8 W
912300023989	BDS100 LED12/830 I DX10 DGR CLO-LS-8 50%	10 W

Order Code	Full Product Name	Power Consumption
912300023990	BDS100 LED14/740 I DS50 DGR CLO-LS-8 50%	9.1 W
912300023991	BDS100 LED43/740 I DW50 DGR D9 C1K	26.5 W

Controls and Dimming

Order Code	Full Product Name	Dimmable	Maximum dim
			level
912300023987	BDS100 LED23/830 II DM12 SGR C1K	No	-
912300023988	BDS100 LED22/740 I DM50 DGR CLO C5K	No	-
912300023989	BDS100 LED12/830 I DX10 DGR CLO-LS-8 50%	Yes	20%

Order Code	Full Product Name	Dimmable	Maximum dim
			level
912300023990	BDS100 LED14/740 I DS50 DGR CLO-LS-8 50%	Yes	20%
912300023991	BDS100 LED43/740 I DW50 DGR D9 C1K	Yes	20%

