



The new generation of energy-saving LED PLT 4P tube lighting

CorePro LED PLT 4P

The CorePro LED PLT 4P integrates a LED light source into a traditional fluorescent form factor. This product is the ideal solution for uplampping in general lighting applications: it meets basic lighting requirements, offers significant energy savings, and is environmentally friendly

Benefits

- Highly energy-efficient
- Easy installation
- Conventional form factor to fit into existing luminaire
- No mercury

Features

- Reduced operational cost thanks to lower energy consumption
- Lower maintenance cost thanks to 2-3 times longer lifetime than conventional lamps
- Fastest and easiest way to upgrade existing luminaires to LED technology
- Completely safe product and installation process

Application

- Hospitality, retail, office, industrial and home applications

CorePro LED PLT 4P

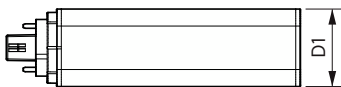
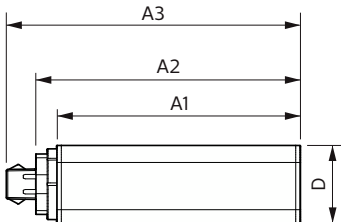
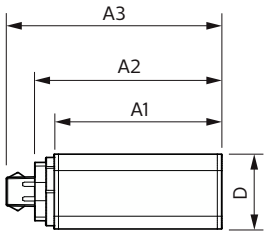
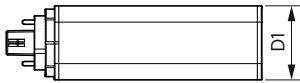
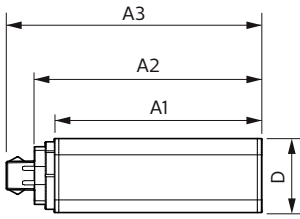
Versions



LEDtube COR PLT 15W GX24Q3

LEDtube COR PLT 6 5W GX24Q2

Dimensional drawing



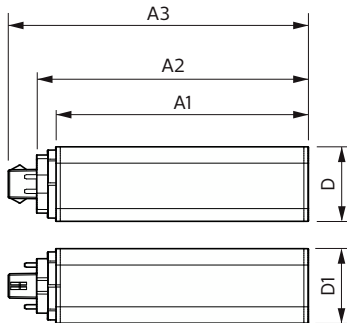
Product	D1	D	A1	A2	A3
CorePro LED PLT HF 9W 830 4P GX24q-3	42 mm	42 mm	115 mm	127 mm	142 mm
CorePro LED PLT HF 9W 840 4P GX24q-3	42 mm	42 mm	115 mm	127 mm	142 mm

Product	D1	D	A1	A2	A3
CorePro LED PLT HF 6.5W 830 4P GX24q-2	42 mm	42 mm	93 mm	103 mm	119 mm
CorePro LED PLT HF 6.5W 840 4P GX24q-2	42 mm	42 mm	93 mm	103 mm	119 mm

Product	D1	D	A1	A2	A3
CorePro LED PLT HF 15W 830 4P GX24q-3	42 mm	42 mm	129 mm	141 mm	156 mm
CorePro LED PLT HF 15W 840 4P GX24q-3	42 mm	42 mm	129 mm	141 mm	156 mm

CorePro LED PLT 4P

Dimensional drawing



Product	D1	D	A1	A2	A3
CorePro LED PLT HF 18.5W 830 4P GX24q-4	42 mm	42 mm	139 mm	151 mm	166 mm
CorePro LED PLT HF 18.5W 840 4P GX24q-4	42 mm	42 mm	139 mm	151 mm	166 mm

General Information	
Switching Cycle	200,000
Nominal lifetime	30,000 hour(s)
Light Technical	
Beam Angle (Nom)	120 degree(s)
Color rendering index (CRI)	82
LLMF At End Of Nominal Lifetime (Nom)	70 %
Operating and Electrical	
Input Frequency	20K-80K Hz
Line Frequency	20K-80K Hz
Starting Time (Nom)	0.5 s
Controls and Dimming	
Dimmable	No
Mechanical and Housing	
Bulb Finish	Frosted
Bulb Shape	PL-T
Approval and Application	
Ambient temperature range	-20 °C to 35 °C

General Information

Order Code	Full Product Name	Cap-Base
929003576702	CorePro LED PLT HF 15W 830 4P GX24q-3	GX24q-3
929003576802	CorePro LED PLT HF 15W 840 4P GX24q-3	GX24q-3
929003576302	CorePro LED PLT HF 6.5W 830 4P GX24q-2	GX24q-2
929003576402	CorePro LED PLT HF 6.5W 840 4P GX24q-2	GX24q-2
929003576502	CorePro LED PLT HF 9W 830 4P GX24q-3	GX24q-3
929003576602	CorePro LED PLT HF 9W 840 4P GX24q-3	GX24q-3
929003576902	CorePro LED PLT HF 18.5W 830 4P GX24q-4	GX24q-4
929003577002	CorePro LED PLT HF 18.5W 840 4P GX24q-4	GX24q-4

Light Technical

Order Code	Full Product Name	Correlated Color		
		Temperature (Nom)	Color Code	Luminous Flux
929003576702	CorePro LED PLT HF 15W 830 4P GX24q-3	3000 K	830	1,620 lm
929003576802	CorePro LED PLT HF 15W 840 4P GX24q-3	4000 K	840	1,800 lm
929003576302	CorePro LED PLT HF 6.5W 830 4P GX24q-2	3000 K	830	720 lm
929003576402	CorePro LED PLT HF 6.5W 840 4P GX24q-2	4000 K	840	800 lm

Order Code	Full Product Name	Correlated Color		
		Temperature (Nom)	Color Code	Luminous Flux
929003576502	CorePro LED PLT HF 9W 830 4P GX24q-3	3000 K	830	990 lm
929003576602	CorePro LED PLT HF 9W 840 4P GX24q-3	4000 K	840	1,100 lm
929003576902	CorePro LED PLT HF 18.5W 830 4P GX24q-4	3000 K	830	2,100 lm
929003577002	CorePro LED PLT HF 18.5W 840 4P GX24q-4	4000 K	840	2,250 lm

CorePro LED PLT 4P

Operating and Electrical

Order Code	Full Product Name	Power Consumption
929003576702	CorePro LED PLT HF 15W 830 4P GX24q-3	15 W
929003576802	CorePro LED PLT HF 15W 840 4P GX24q-3	15 W
929003576302	CorePro LED PLT HF 6.5W 830 4P GX24q-2	6.5 W
929003576402	CorePro LED PLT HF 6.5W 840 4P GX24q-2	6.5 W

Order Code	Full Product Name	Power Consumption
929003576502	CorePro LED PLT HF 9W 830 4P GX24q-3	9 W
929003576602	CorePro LED PLT HF 9W 840 4P GX24q-3	9 W
929003576902	CorePro LED PLT HF 18.5W 830 4P GX24q-4	18.5 W
929003577002	CorePro LED PLT HF 18.5W 840 4P GX24q-4	18.5 W

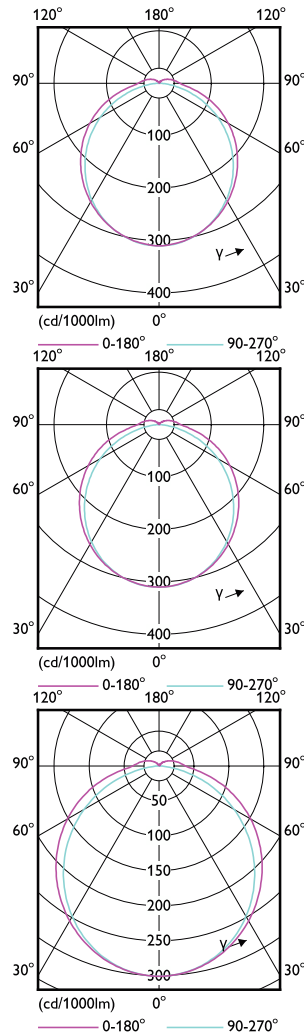
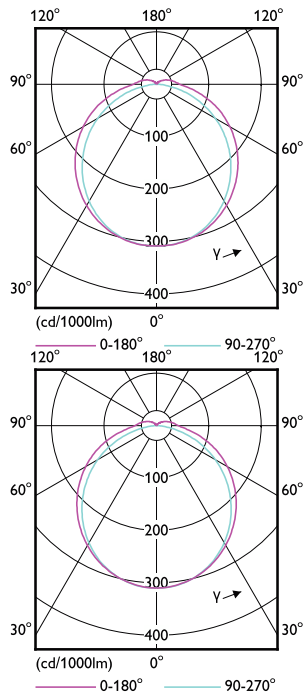
Temperature

Order Code	Full Product Name	T-Case Maximum (Nom)
929003576702	CorePro LED PLT HF 15W 830 4P GX24q-3	70 °C
929003576802	CorePro LED PLT HF 15W 840 4P GX24q-3	70 °C
929003576302	CorePro LED PLT HF 6.5W 830 4P GX24q-2	65 °C
929003576402	CorePro LED PLT HF 6.5W 840 4P GX24q-2	65 °C

Order Code	Full Product Name	T-Case Maximum (Nom)
929003576502	CorePro LED PLT HF 9W 830 4P GX24q-3	65 °C
929003576602	CorePro LED PLT HF 9W 840 4P GX24q-3	65 °C
929003576902	CorePro LED PLT HF 18.5W 830 4P GX24q-4	75 °C
929003577002	CorePro LED PLT HF 18.5W 840 4P GX24q-4	75 °C

Approval and Application

Order Code	Full Product Name	Energy Consumption kWh/1000 h
929003576702	CorePro LED PLT HF 15W 830 4P GX24q-3	15 kWh
929003576802	CorePro LED PLT HF 15W 840 4P GX24q-3	15 kWh
929003576302	CorePro LED PLT HF 6.5W 830 4P GX24q-2	7 kWh
929003576402	CorePro LED PLT HF 6.5W 840 4P GX24q-2	7 kWh
929003576502	CorePro LED PLT HF 9W 830 4P GX24q-3	9 kWh
929003576602	CorePro LED PLT HF 9W 840 4P GX24q-3	9 kWh
929003576902	CorePro LED PLT HF 18.5W 830 4P GX24q-4	19 kWh
929003577002	CorePro LED PLT HF 18.5W 840 4P GX24q-4	19 kWh



CorePro LED PLT 4P

