



Philips most advanced LED replacements for compact fluorescent 2-pin PL-S lamps

PL-S

Philips LED PL-S lamps make the transition to LED from CFL lamps as simple as replacing a lamp. The InstantFit (UL Type A) 2-pin PL-S LED lamps are available in a wide array of color temperatures. They quickly and effectively replace 13W 2-pin compact fluorescent PL-S lamps.

Benefits

- Minimizes overall lighting costs
- Offers cheapest and easiest upgrade to LED lighting technology
- Excellent compatibility with existing fluorescent ballasts

Features

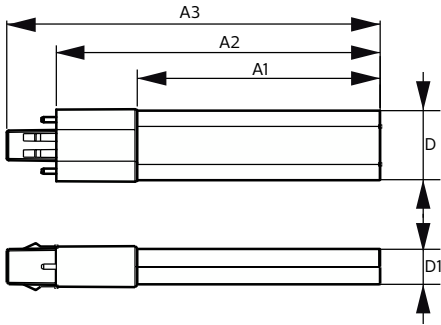
- High energy efficiency, over 40% energy savings
- Long lifetime
- Easy plug-and-play installation. Retrofit replacement of existing CFL-ni lamps
- Conventional form factor fits into existing luminaires
- Durable polycarbonate construction

Application

- Residential and multi-family complexes
- Retail and hospitality

PL-S

Dimensional drawing



Product	D	D1	A1	A2	A3
5PL-S/LED/13H/827/IF5/P/2P 20/1	31.1 mm	15.8 mm	108 mm	144 mm	166 mm
5PL-S/LED/13H/830/IF5/P/2P 20/1	31.1 mm	15.8 mm	108 mm	144 mm	166 mm
5PL-S/LED/13H/835/IF5/P/2P 20/1	31.1 mm	15.8 mm	108 mm	144 mm	166 mm
5PL-S/LED/13H/840/IF5/P/2P 20/1	31.1 mm	15.8 mm	108 mm	144 mm	166 mm

General Information

Cap-Base	GX23
Switching Cycle	50,000
Nominal lifetime	50,000 hour(s)

Light Technical

Beam Angle (Nom)	120 degree(s)
Color rendering index (CRI)	82
LLMF At End Of Nominal Lifetime (Nom)	70 %

Operating and Electrical

Input Frequency	50 to 60 Hz
Line Frequency	50 to 60 Hz
Power Consumption	5 W
Starting Time (Nom)	0.5 s
Wattage Equivalent	13 W

Temperature

T-Case Maximum (Nom)	75 °C
----------------------	-------

Controls and Dimming

Dimmable	No
----------	----

Mechanical and Housing

Bulb Finish	Frosted
Bulb Shape	PL-S

Approval and Application

Ambient temperature range	-20 °C to 45 °C
Energy Consumption kWh/1000 h	- kWh

Light Technical

Order Code	Full Product Name	Correlated Color		
		Temperature (Nom)	Color Code	Luminous Flux
929001862804	5PL-S/LED/13H/827/IF5/P/2P 20/1	2700 K	827	520 lm
929001862904	5PL-S/LED/13H/830/IF5/P/2P 20/1	3000 K	830	540 lm
929001863004	5PL-S/LED/13H/835/IF5/P/2P 20/1	3500 K	835	560 lm
929001863104	5PL-S/LED/13H/840/IF5/P/2P 20/1	4000 K	840	580 lm

PL-S

