



Affordable LED replacements for compact fluorescent 4-pin & 2-pin lamps

PL-C/T

Philips PLED 4-pin & 2-pin lamps are an affordable LED solution to replace compact fluorescent lamps. The product provides a natural lighting effect for use in many lighting applications, and provides instant energy savings, making them an environmentally-friendly solution. Available as replacements for 13W, 26W and 32W compact fluorescent lamps.

Benefits

- Reduced lighting costs
- Excellent lighting uniformity and lumen maintenance
- Unmatched compatibility with existing ballasts

Features

- Excellent energy efficiency
- Horizontal lamps rotate to ensure the best possible lighting effect
- Easy installation. Plug-and-play replacement of existing CFL-ni lamps
- Conventional form factor fits into existing luminaires

Application

- Retail & hospitality
- Residential
- Healthcare

PL-C/T

Versions



LEDtube PLCT H 8W G24Q

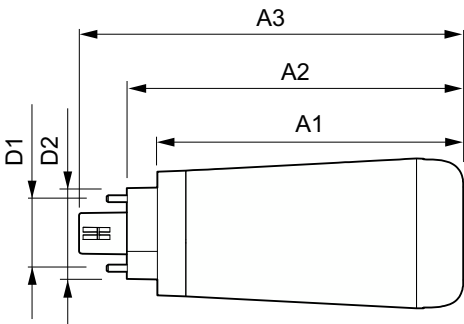
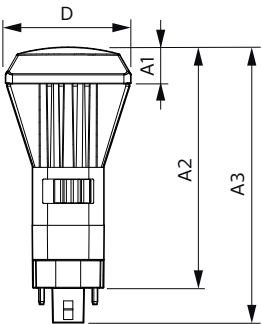


LEDtube PLC 13V 5.5W G24Q 827 15D ND



LEDtube PLC 13H 5W GX23-2 827 15D ND

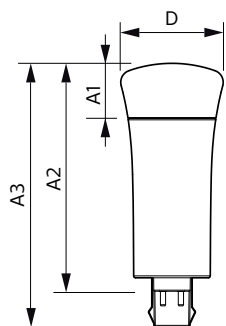
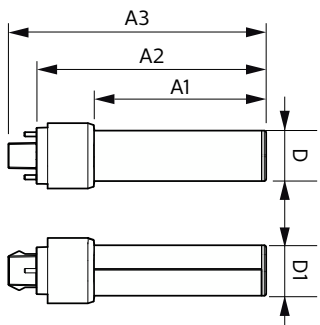
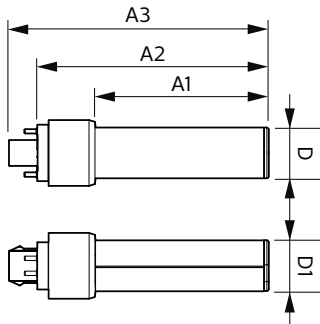
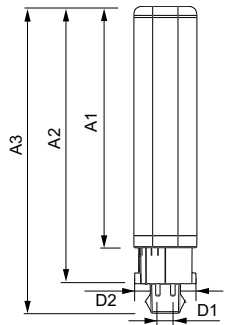
Dimensional drawing



Product	D	D2	A1	A2	A3
11PL-C/T/COR/32V-3CCT/MF15/P/20/1	54 mm	16 mm	104 mm	119 mm	
8PL-C/T/COR/26V-3CCT/MF10/P/20/1	54 mm	16 mm	104 mm	119 mm	

Product	D1	D2	A1	A2	A3
10.5PL-C/T/COR/26V-827/ IF12/P/4P/DIM10/1	24.3 mm	29 mm	99.9 mm	109.9 mm	125.5 mm
10.5PL-C/T/COR/26V-830/ IF13/P/4P/DIM10/1	24.3 mm	29 mm	99.9 mm	109.9 mm	125.5 mm
10.5PL-C/T/COR/26V-835/ IF13/P/4P/DIM10/1	24.3 mm	29 mm	99.9 mm	109.9 mm	125.5 mm
10.5PL-C/T/COR/26V-840/ IF13/P/4P/DIM10/1	24.3 mm	29 mm	99.9 mm	109.9 mm	125.5 mm
12PL-C/T/COR/32V-830/ IF14/P/4P/DIM 10/1	24.3 mm	29 mm	99.9 mm	109.9 mm	125.5 mm
12PL-C/T/COR/32V-835/ IF14/P/4P/DIM 10/1	24.3 mm	29 mm	99.9 mm	109.9 mm	125.5 mm
12PL-C/T/COR/32V-840/ IF15/P/4P/DIM 10/1	24.3 mm	29 mm	99.9 mm	109.9 mm	125.5 mm

Dimensional drawing



Product	D1	D2	A1	A2	A3
12PL-C/T/COR/32H-830/ IF13/P/4P/DIM 10/1	24.3 mm	28.4 mm	128.8 mm	148 mm	163.6 mm
12PL-C/T/COR/32H-835/ IF14/P/4P/DIM 10/1	24.3 mm	28.4 mm	128.8 mm	148 mm	163.6 mm
12PL-C/T/COR/32H-840/ IF14/P/4P/DIM 10/1	24.3 mm	28.4 mm	128.8 mm	148 mm	163.6 mm
8.5PL-C/T/COR/ 26H-827/IF8/P/4P/DIM 10/1	24.3 mm	28.4 mm	128.3 mm	147.5 mm	163.1 mm
8.5PL-C/T/COR/ 26H-830/IF9/P/4P/DIM 10/1	24.3 mm	28.4 mm	128.3 mm	147.5 mm	163.1 mm
8.5PL-C/T/COR/ 26H-835/IF9/P/4P/DIM 10/1	24.3 mm	28.4 mm	128.3 mm	147.5 mm	163.1 mm
8.5PL-C/T/COR/ 26H-840/IF9/P/4P/DIM 10/1	24.3 mm	28.4 mm	128.3 mm	147.5 mm	163.1 mm

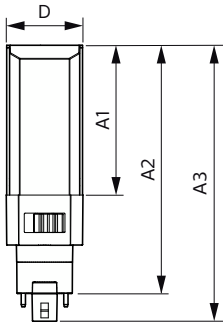
Product	D	D1	A1	A2	A3
5.5PL-C/LED/13H/830/IF5/P/4P 20/1	27 mm	27 mm	91.5 mm	122.4 mm	137.4 mm
5.5PL-C/LED/13H/835/IF5/P/4P 20/1	27 mm	27 mm	91.5 mm	122.4 mm	137.4 mm
5.5PL-C/LED/13H/840/IF5/P/4P 20/1	27 mm	27 mm	91.5 mm	122.4 mm	137.4 mm

Product	D	D1	A1	A2	A3
5PL-C/LED/13H/840/IF5/P/2P 20/1	27 mm	27 mm	91.5 mm	122.4 mm	137.4 mm

Product	D	A1	A2	A3
5.5PL-C/LED/13V/827/IF5/P/4P 20/1	45.7 mm	24.6 mm	101.6 mm	117.6 mm
5.5PL-C/LED/13V/840/IF5/P/4P 20/1	45.7 mm	24.6 mm	101.6 mm	117.6 mm

PL-C/T

Dimensional drawing



Product	D	D2	A1	A2	A3
11PL-C/T/COR/32H-3CCT/MF15/P/20/1	42 mm	82 mm	135 mm	150 mm	
8PL-C/T/COR/26H-3CCT/MF10/P/20/1	42 mm	82 mm	135 mm	150 mm	

General Information	
Switching Cycle	50,000
Light Technical	
LLMF At End Of Nominal Lifetime (Nom)	70 %
Operating and Electrical	
Starting Time (Nom)	0.5 s
Mechanical and Housing	
Bulb Finish	Frosted

General Information

Order Code	Full Product Name	Cap-Base	Nominal lifetime
929001388004	8.5PL-C/T/COR/26H-827/IF8/P/4P/DIM 10/1	G24q	50,000 hour(s)
929001388104	8.5PL-C/T/COR/26H-830/IF9/P/4P/DIM 10/1	G24q	50,000 hour(s)
929001388204	8.5PL-C/T/COR/26H-835/IF9/P/4P/DIM 10/1	G24q	50,000 hour(s)
929001388304	8.5PL-C/T/COR/26H-840/IF9/P/4P/DIM 10/1	G24q	50,000 hour(s)
929001819804	12PL-C/T/COR/32H-830/IF13/P/4P/DIM 10/1	G24q	50,000 hour(s)
929001819904	12PL-C/T/COR/32H-835/IF14/P/4P/DIM 10/1	G24q	50,000 hour(s)
929001820004	12PL-C/T/COR/32H-840/IF14/P/4P/DIM 10/1	G24q	50,000 hour(s)
929001388404	10.5PL-C/T/COR/26V-827/IF12/P/4P/DIM10/1	GX24q	50,000 hour(s)
929001388504	10.5PL-C/T/COR/26V-830/IF13/P/4P/DIM10/1	GX24q	50,000 hour(s)
929001388604	10.5PL-C/T/COR/26V-835/IF13/P/4P/DIM10/1	GX24q	50,000 hour(s)

Order Code	Full Product Name	Cap-Base	Nominal lifetime
929001388704	10.5PL-C/T/COR/26V-840/IF13/P/4P/DIM10/1	GX24q	50,000 hour(s)
929001820204	12PL-C/T/COR/32V-830/IF14/P/4P/DIM 10/1	GX24q	50,000 hour(s)
929001820304	12PL-C/T/COR/32V-835/IF14/P/4P/DIM 10/1	GX24q	50,000 hour(s)
929001820404	12PL-C/T/COR/32V-840/IF15/P/4P/DIM 10/1	GX24q	50,000 hour(s)
929001885404	5.5PL-C/LED/13H/830/IF5/P/4P 20/1	G24q	50,000 hour(s)
929001885504	5.5PL-C/LED/13H/835/IF5/P/4P 20/1	G24q	50,000 hour(s)
929001885604	5.5PL-C/LED/13H/840/IF5/P/4P 20/1	G24q	50,000 hour(s)
929003477604	8PL-C/T/COR/26H-3CCT/MF10/P/20/1	G24q	30,000 hour(s)
929003477804	11PL-C/T/COR/32H-3CCT/MF15/P/20/1	G24q	30,000 hour(s)
929001885704	5.5PL-C/LED/13V/827/IF5/P/4P 20/1	G24q	50,000 hour(s)
929001886004	5.5PL-C/LED/13V/840/IF5/P/4P 20/1	G24q	50,000 hour(s)
929003477704	8PL-C/T/COR/26V-3CCT/MF10/P/20/1	G24q	30,000 hour(s)
929003477904	11PL-C/T/COR/32V-3CCT/MF15/P/20/1	G24q	30,000 hour(s)
929001884804	5PL-C/LED/13H/840/IF5/P/2P 20/1	GX23-2	50,000 hour(s)

Light Technical

Order Code	Full Product Name	Beam Angle (Nom)	Correlated Color Temperature		Color rendering index		Luminous Flux
			(Nom)	(K)	(CRI)	Color Code	
9290013880004	8.5PL-C/T/COR/26H-827/IF8/P/4P/DIM 10/1	120 degree(s)		2700 K	82	827	850 lm
929001388104	8.5PL-C/T/COR/26H-830/IF9/P/4P/DIM 10/1	120 degree(s)		3000 K	82	830	900 lm
929001388204	8.5PL-C/T/COR/26H-835/IF9/P/4P/DIM 10/1	120 degree(s)		3500 K	82	835	900 lm
929001388304	8.5PL-C/T/COR/26H-840/IF9/P/4P/DIM 10/1	120 degree(s)		4000 K	82	840	950 lm
929001819804	12PL-C/T/COR/32H-830/IF13/P/4P/DIM 10/1	120 degree(s)		3000 K	82	830	1,350 lm
929001819904	12PL-C/T/COR/32H-835/IF14/P/4P/DIM 10/1	120 degree(s)		3500 K	82	835	1,400 lm
929001820004	12PL-C/T/COR/32H-840/IF14/P/4P/DIM 10/1	120 degree(s)		4000 K	82	840	1,450 lm
929001388404	10.5PL-C/T/COR/26V-827/IF12/P/4P/DIM10/1	120 degree(s)		2700 K	82	827	1,200 lm
929001388504	10.5PL-C/T/COR/26V-830/IF13/P/4P/DIM10/1	120 degree(s)		3000 K	82	830	1,200 lm
929001388604	10.5PL-C/T/COR/26V-835/IF13/P/4P/DIM10/1	120 degree(s)		3500 K	82	835	1,200 lm
929001388704	10.5PL-C/T/COR/26V-840/IF13/P/4P/DIM10/1	120 degree(s)		4000 K	82	840	1,300 lm
929001820204	12PL-C/T/COR/32V-830/IF14/P/4P/DIM 10/1	120 degree(s)		3000 K	82	830	1,400 lm
929001820304	12PL-C/T/COR/32V-835/IF14/P/4P/DIM 10/1	120 degree(s)		3500 K	82	835	1,450 lm
929001820404	12PL-C/T/COR/32V-840/IF15/P/4P/DIM 10/1	120 degree(s)		4000 K	82	840	1,500 lm
929001885404	5.5PL-C/LED/13H/830/IF5/P/4P 20/1	150 degree(s)		3000 K	82	830	550 lm
929001885504	5.5PL-C/LED/13H/835/IF5/P/4P 20/1	150 degree(s)		3500 K	82	835	550 lm
929001885604	5.5PL-C/LED/13H/840/IF5/P/4P 20/1	150 degree(s)		4000 K	82	840	580 lm
929003477604	8PL-C/T/COR/26H-3CCT/MF10/P/20/1	120 degree(s)		Selectable	83	3000/3500/4000	975 lm
929003477804	11PL-C/T/COR/32H-3CCT/MF15/P/20/1	120 degree(s)		Selectable	83	3000/3500/4000	1,425 lm
929001885704	5.5PL-C/LED/13V/827/IF5/P/4P 20/1	150 degree(s)		2700 K	82	827	520 lm
929001886004	5.5PL-C/LED/13V/840/IF5/P/4P 20/1	150 degree(s)		4000 K	82	840	580 lm
929003477704	8PL-C/T/COR/26V-3CCT/MF10/P/20/1	120 degree(s)		Selectable	83	3000/3500/4000	975 lm
929003477904	11PL-C/T/COR/32V-3CCT/MF15/P/20/1	120 degree(s)		Selectable	83	3000/3500/4000	1,425 lm
929001884804	5PL-C/LED/13H/840/IF5/P/2P 20/1	150 degree(s)		4000 K	82	840	580 lm

Operating and Electrical

Order Code	Full Product					Order Code	Full Product				
	Name	Input Frequency	Line Frequency	Power Consumption	Wattage Equivalent		Name	Input Frequency	Line Frequency	Power Consumption	Wattage Equivalent
9290013880004	8.5PL-C/T/COR/26H-827/IF8/P/4P/DIM 10/1	20000-100000 Hz	20000-100000 Hz	8.5 W	26 W	929001819804	12PL-C/T/COR/32H-830/IF13/P/4P/DIM 10/1	20000-100000 Hz	20000-100000 Hz	12 W	32 W
929001388104	8.5PL-C/T/COR/26H-830/IF9/P/4P/DIM 10/1	20000-100000 Hz	20000-100000 Hz	8.5 W	26 W	929001819904	12PL-C/T/COR/32H-835/IF14/P/4P/DIM 10/1	20000-100000 Hz	20000-100000 Hz	12 W	32 W
929001388204	8.5PL-C/T/COR/26H-835/IF9/P/4P/DIM 10/1	20000-100000 Hz	20000-100000 Hz	8.5 W	26 W	929001820004	12PL-C/T/COR/32H-840/IF14/P/4P/DIM 10/1	20000-100000 Hz	20000-100000 Hz	12 W	32 W
929001388304	8.5PL-C/T/COR/26H-840/IF9/P/4P/DIM 10/1	20000-100000 Hz	20000-100000 Hz	8.5 W	26 W	929001388404	10.5PL-C/T/COR/26V-827/IF12/P/4P/DIM10/1	20000-100000 Hz	20000-100000 Hz	10.5 W	26 W

PL-C/T

Order Code	Full Product Name	Input Frequency	Line Frequency	Power Consumption	Wattage Equivalent	Order Code	Full Product Name	Input Frequency	Line Frequency	Power Consumption	Wattage Equivalent
929001388504	10.5PL- C/T/COR/ 26V-830/ IF13/P/4P/ DIM10/1	20000-100000 Hz	20000-100000 Hz	10.5 W	26 W		/835/IF5/P /4P 20/1				
929001388604	10.5PL- C/T/COR/ 26V-835/ IF13/P/4P/ DIM10/1	20000-100000 Hz	20000-100000 Hz	10.5 W	26 W	929001885604	5.5PL- C/LED/13H /840/IF5/P /4P 20/1	25000-100000 Hz	25000-100000 Hz	5.5 W	13 W
929001388704	10.5PL- C/T/COR/ 26V-840/ IF13/P/4P/ DIM10/1	20000-100000 Hz	20000-100000 Hz	10.5 W	26 W	929003477604	8PL- C/T/COR/ 26H-3CCT/ MF10/P/ 20/1	50 to 60 Hz	50 to 60 Hz	8 W	26 W
929001820204	12PL- C/T/COR/ 32V-830/ IF14/P/4P/ DIM 10/1	20000-100000 Hz	20000-100000 Hz	12 W	32 W	929003477804	11PL- C/T/COR/ 32H-3CCT/ MF15/P/ 20/1	50 to 60 Hz	50 to 60 Hz	11 W	32 W
929001820304	12PL- C/T/COR/ 32V-835/ IF14/P/4P/ DIM 10/1	20000-100000 Hz	20000-100000 Hz	12 W	32 W	929001885704	5.5PL- C/LED/13V /827/IF5/P /4P 20/1	25000-100000 Hz	25000-100000 Hz	5.5 W	13 W
929001820404	12PL- C/T/COR/ 32V-840/ IF15/P/4P/ DIM 10/1	20000-100000 Hz	20000-100000 Hz	12 W	32 W	929001886004	5.5PL- C/LED/13V /840/IF5/P /4P 20/1	25000-100000 Hz	25000-100000 Hz	5.5 W	13 W
929001885404	5.5PL- C/LED/13H /830/IF5/P /4P 20/1	25000-100000 Hz	25000-100000 Hz	5.5 W	13 W	929003477704	8PL- C/T/COR/ 26V-3CCT/ MF10/P/ 20/1	50 to 60 Hz	50 to 60 Hz	8 W	26 W
929001885504	5.5PL- C/LED/13H	25000-100000 Hz	25000-100000 Hz	5.5 W	13 W	929003477904	11PL- C/T/COR/ 32V-3CCT/ MF15/P/ 20/1	50 to 60 Hz	50 to 60 Hz	11 W	32 W
						929001884804	5PL- C/LED/13H /840/IF5/P /2P 20/1	50 to 60 Hz	50 to 60 Hz	5 W	13 W

Temperature

Order Code	Full Product Name	T-Case Maximum (Nom)	Order Code	Full Product Name	T-Case Maximum (Nom)
929001388004	8.5PL-C/T/COR/26H-827/IF8/P/4P/DIM 10/1	60 °C	929001388404	10.5PL-C/T/COR/26V-827/IF12/P/4P/DIM10/1	60 °C
929001388104	8.5PL-C/T/COR/26H-830/IF9/P/4P/DIM 10/1	60 °C	929001388504	10.5PL-C/T/COR/26V-830/IF13/P/4P/DIM10/1	60 °C
929001388204	8.5PL-C/T/COR/26H-835/IF9/P/4P/DIM 10/1	60 °C	929001388604	10.5PL-C/T/COR/26V-835/IF13/P/4P/DIM10/1	60 °C
929001388304	8.5PL-C/T/COR/26H-840/IF9/P/4P/DIM 10/1	60 °C	929001388704	10.5PL-C/T/COR/26V-840/IF13/P/4P/DIM10/1	60 °C
929001819804	12PL-C/T/COR/32H-830/IF13/P/4P/DIM 10/1	25 °C	929001820204	12PL-C/T/COR/32V-830/IF14/P/4P/DIM 10/1	25 °C
929001819904	12PL-C/T/COR/32H-835/IF14/P/4P/DIM 10/1	25 °C	929001820304	12PL-C/T/COR/32V-835/IF14/P/4P/DIM 10/1	25 °C
929001820004	12PL-C/T/COR/32H-840/IF14/P/4P/DIM 10/1	25 °C	929001820404	12PL-C/T/COR/32V-840/IF15/P/4P/DIM 10/1	25 °C

Order Code	Full Product Name	T-Case Maximum (Nom)
929001885404	5.5PL-C/LED/13H/830/IF5/P/4P 20/1	75 °C
929001885504	5.5PL-C/LED/13H/835/IF5/P/4P 20/1	75 °C
929001885604	5.5PL-C/LED/13H/840/IF5/P/4P 20/1	75 °C
929003477604	8PL-C/T/COR/26H-3CCT/MF10/P/20/1	65 °C
929003477804	11PL-C/T/COR/32H-3CCT/MF15/P/20/1	75 °C

Order Code	Full Product Name	T-Case Maximum (Nom)
929001885704	5.5PL-C/LED/13V/827/IF5/P/4P 20/1	70 °C
929001886004	5.5PL-C/LED/13V/840/IF5/P/4P 20/1	70 °C
929003477704	8PL-C/T/COR/26V-3CCT/MF10/P/20/1	65 °C
929003477904	11PL-C/T/COR/32V-3CCT/MF15/P/20/1	75 °C
929001884804	5PL-C/LED/13H/840/IF5/P/2P 20/1	70 °C

Controls and Dimming

Order Code	Full Product Name	Dimmable
929001388004	8.5PL-C/T/COR/26H-827/IF8/P/4P/DIM 10/1	Yes
929001388104	8.5PL-C/T/COR/26H-830/IF9/P/4P/DIM 10/1	Yes
929001388204	8.5PL-C/T/COR/26H-835/IF9/P/4P/DIM 10/1	Yes
929001388304	8.5PL-C/T/COR/26H-840/IF9/P/4P/DIM 10/1	Yes
929001819804	12PL-C/T/COR/32H-830/IF13/P/4P/DIM 10/1	Yes
929001819904	12PL-C/T/COR/32H-835/IF14/P/4P/DIM 10/1	Yes
929001820004	12PL-C/T/COR/32H-840/IF14/P/4P/DIM 10/1	Yes
929001388404	10.5PL-C/T/COR/26V-827/IF12/P/4P/DIM10/1	Yes
929001388504	10.5PL-C/T/COR/26V-830/IF13/P/4P/DIM10/1	Yes
929001388604	10.5PL-C/T/COR/26V-835/IF13/P/4P/DIM10/1	Yes
929001388704	10.5PL-C/T/COR/26V-840/IF13/P/4P/DIM10/1	Yes
929001820204	12PL-C/T/COR/32V-830/IF14/P/4P/DIM 10/1	Yes

Order Code	Full Product Name	Dimmable
929001820304	12PL-C/T/COR/32V-835/IF14/P/4P/DIM 10/1	Yes
929001820404	12PL-C/T/COR/32V-840/IF15/P/4P/DIM 10/1	Yes
929001885404	5.5PL-C/LED/13H/830/IF5/P/4P 20/1	Yes
929001885504	5.5PL-C/LED/13H/835/IF5/P/4P 20/1	Yes
929001885604	5.5PL-C/LED/13H/840/IF5/P/4P 20/1	Yes
929003477604	8PL-C/T/COR/26H-3CCT/MF10/P/20/1	No
929003477804	11PL-C/T/COR/32H-3CCT/MF15/P/20/1	No
929001885704	5.5PL-C/LED/13V/827/IF5/P/4P 20/1	Yes
929001886004	5.5PL-C/LED/13V/840/IF5/P/4P 20/1	Yes
929003477704	8PL-C/T/COR/26V-3CCT/MF10/P/20/1	No
929003477904	11PL-C/T/COR/32V-3CCT/MF15/P/20/1	No
929001884804	5PL-C/LED/13H/840/IF5/P/2P 20/1	No

Mechanical and Housing

Order Code	Full Product Name	Bulb Shape
929001388004	8.5PL-C/T/COR/26H-827/IF8/P/4P/DIM 10/1	PL-C;PL-T
929001388104	8.5PL-C/T/COR/26H-830/IF9/P/4P/DIM 10/1	PL-C;PL-T
929001388204	8.5PL-C/T/COR/26H-835/IF9/P/4P/DIM 10/1	PL-C;PL-T
929001388304	8.5PL-C/T/COR/26H-840/IF9/P/4P/DIM 10/1	PL-C;PL-T
929001819804	12PL-C/T/COR/32H-830/IF13/P/4P/DIM 10/1	PL-C;PL-T
929001819904	12PL-C/T/COR/32H-835/IF14/P/4P/DIM 10/1	PL-C;PL-T
929001820004	12PL-C/T/COR/32H-840/IF14/P/4P/DIM 10/1	PL-C;PL-T
929001388404	10.5PL-C/T/COR/26V-827/IF12/P/4P/DIM10/1	PL-C;PL-T
929001388504	10.5PL-C/T/COR/26V-830/IF13/P/4P/DIM10/1	PL-C;PL-T
929001388604	10.5PL-C/T/COR/26V-835/IF13/P/4P/DIM10/1	PL-C;PL-T
929001388704	10.5PL-C/T/COR/26V-840/IF13/P/4P/DIM10/1	PL-C;PL-T
929001820204	12PL-C/T/COR/32V-830/IF14/P/4P/DIM 10/1	PL-C;PL-T

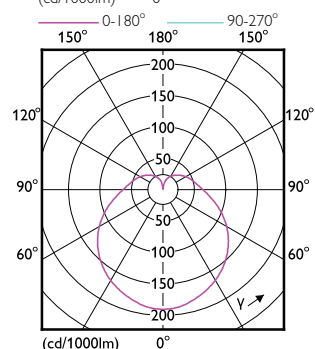
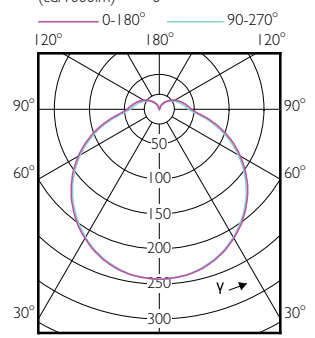
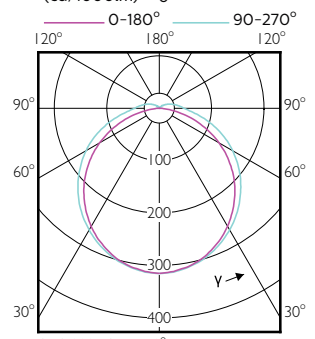
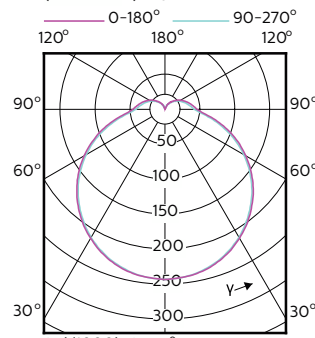
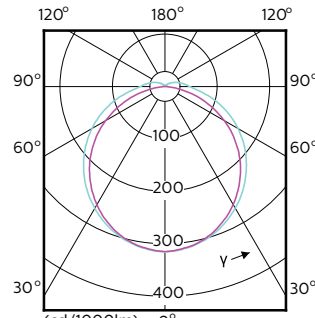
Order Code	Full Product Name	Bulb Shape
929001820304	12PL-C/T/COR/32V-835/IF14/P/4P/DIM 10/1	PL-C;PL-T
929001820404	12PL-C/T/COR/32V-840/IF15/P/4P/DIM 10/1	PL-C;PL-T
929001885404	5.5PL-C/LED/13H/830/IF5/P/4P 20/1	PL-C
929001885504	5.5PL-C/LED/13H/835/IF5/P/4P 20/1	PL-C
929001885604	5.5PL-C/LED/13H/840/IF5/P/4P 20/1	PL-C
929003477604	8PL-C/T/COR/26H-3CCT/MF10/P/20/1	PL-C;PL-T
929003477804	11PL-C/T/COR/32H-3CCT/MF15/P/20/1	PL-C;PL-T
929001885704	5.5PL-C/LED/13V/827/IF5/P/4P 20/1	PL-C
929001886004	5.5PL-C/LED/13V/840/IF5/P/4P 20/1	PL-C
929003477704	8PL-C/T/COR/26V-3CCT/MF10/P/20/1	PL-C;PL-T
929003477904	11PL-C/T/COR/32V-3CCT/MF15/P/20/1	PL-C;PL-T
929001884804	5PL-C/LED/13H/840/IF5/P/2P 20/1	PL-C

Approval and Application

Order Code	Full Product Name	Energy	
		Ambient temperature range	Consumption kWh/1000 h
929001388004	8.5PL-C/T/COR/26H-827/IF8/P/4P/DIM 10/1	-20 °C to 45 °C	- kWh
929001388104	8.5PL-C/T/COR/26H-830/IF9/P/4P/DIM 10/1	-20 °C to 45 °C	- kWh
929001388204	8.5PL-C/T/COR/26H-835/IF9/P/4P/DIM 10/1	-20 °C to 45 °C	- kWh

Order Code	Full Product Name	Energy	
		Ambient temperature range	Consumption kWh/1000 h
929001388304	8.5PL-C/T/COR/26H-840/IF9/P/4P/DIM 10/1	-20 °C to 45 °C	- kWh
929001819804	12PL-C/T/COR/32H-830/IF13/P/4P/DIM 10/1	-20 °C to 45 °C	- kWh
929001819904	12PL-C/T/COR/32H-835/IF14/P/4P/DIM 10/1	-20 °C to 45 °C	- kWh

Order Code	Full Product Name	Ambient temperature range	Energy
			Consumption kWh/1000 h
929001820004	12PL-C/T/COR/32H-840/IF14/P/4P/DIM 10/1	-20 °C to 45 °C	- kWh
929001388404	10.5PL-C/T/COR/26V-827/IF12/P/4P/DIM10/1	-20 °C to 45 °C	- kWh
929001388504	10.5PL-C/T/COR/26V-830/IF13/P/4P/DIM10/1	-20 °C to 45 °C	- kWh
929001388604	10.5PL-C/T/COR/26V-835/IF13/P/4P/DIM10/1	-20 °C to 45 °C	- kWh
929001388704	10.5PL-C/T/COR/26V-840/IF13/P/4P/DIM10/1	-20 °C to 45 °C	- kWh
929001820204	12PL-C/T/COR/32V-830/IF14/P/4P/DIM 10/1	-20 °C to 45 °C	- kWh
929001820304	12PL-C/T/COR/32V-835/IF14/P/4P/DIM 10/1	-20 °C to 45 °C	- kWh
929001820404	12PL-C/T/COR/32V-840/IF15/P/4P/DIM 10/1	-20 °C to 45 °C	- kWh
929001885404	5.5PL-C/LED/13H/830/IF5/P/4P 20/1	-20 °C to 45 °C	- kWh
929001885504	5.5PL-C/LED/13H/835/IF5/P/4P 20/1	-20 °C to 45 °C	- kWh
929001885604	5.5PL-C/LED/13H/840/IF5/P/4P 20/1	-20 °C to 45 °C	- kWh
929003477604	8PL-C/T/COR/26H-3CCT/MF10/P/20/1	-20 to +45 °C	-
929003477804	11PL-C/T/COR/32H-3CCT/MF15/P/20/1	-20 to +45 °C	-
929001885704	5.5PL-C/LED/13V/827/IF5/P/4P 20/1	-20 °C to 45 °C	- kWh
929001886004	5.5PL-C/LED/13V/840/IF5/P/4P 20/1	-20 °C to 45 °C	- kWh
929003477704	8PL-C/T/COR/26V-3CCT/MF10/P/20/1	-20 to +45 °C	-
929003477904	11PL-C/T/COR/32V-3CCT/MF15/P/20/1	-20 to +45 °C	-
929001884804	5PL-C/LED/13H/840/IF5/P/2P 20/1	-20 °C to 45 °C	- kWh



PL-C/T

