



# The new generation of energy-saving LED PLS tube lighting

## CorePro LED PLS

The Philips CorePro LED PLS integrates a LED light source into a traditional fluorescent form factor. This product is the ideal solution for uplampping in general lighting applications: it meets basic lighting requirements, offers significant energy savings, and is environment-friendly.

### Benefits

- Reduced operational cost thanks to lower energy consumption
- Lower maintenance cost thanks to 2-3 times longer lifetime than conventional lamps
- Fastest and easiest way to upgrade existing luminaires to LED technology; completely safe product and installation process

### Features

- Highly energy-efficient
- Easy installation
- Conventional form factor to fit into existing luminaires
- No mercury

### Application

- Hospitality, retail, office, industrial and home applications

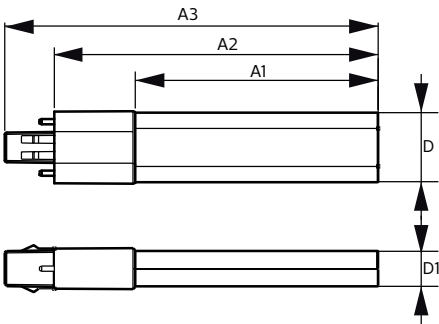
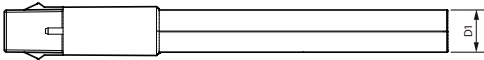
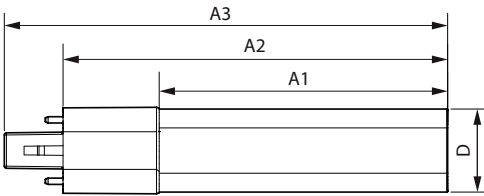
# CorePro LED PLS

## Versions



CorePro LED PLS 2P G23

## Dimensional drawing



Product	D1	D2	A1	A2	A3
CorePro LED PLS 3.5W 830 2P G23	34 mm		79 mm	115 mm	137 mm
CorePro LED PLS 3.5W 840 2P G23	34 mm		79 mm	115 mm	137 mm
CorePro LED PLS 5W 830 2P G23	34 mm		108 mm	144 mm	166 mm
CorePro LED PLS 5W 840 2P G23	34 mm		108 mm	144 mm	166 mm

Product	D	D1	A1	A2	A3
CorePro LED PLS 5W 830 2P G23	31.1 mm	15.8 mm	108 mm	144 mm	166 mm
CorePro LED PLS 5W 840 2P G23	31.1 mm	15.8 mm	108 mm	144 mm	166 mm

# CorePro LED PLS

General Information	
Cap-Base	G23
Switching Cycle	50,000
Nominal lifetime	30,000 hour(s)
Light Technical	
Beam Angle (Nom)	120 degree(s)
Color rendering index (CRI)	82
LLMF At End Of Nominal Lifetime (Nom)	70 %
Operating and Electrical	
Input Frequency	50 to 60 Hz
Starting Time (Nom)	0.5 s
Controls and Dimming	
Dimmable	No
Mechanical and Housing	
Bulb Shape	PL-S

## Light Technical

Order Code	Full Product Name	Correlated Color		
		Temperature (Nom)	Color Code	Luminous Flux
929001926302	CorePro LED PLS 5W 830 2P G23	3000 K	830	520 lm
929001926402	CorePro LED PLS 5W 840 2P G23	4000 K	840	550 lm
929003756802	CorePro LED PLS 5W 830 2P G23	3000 K	830	520 lm
929003756902	CorePro LED PLS 5W 840 2P G23	4000 K	840	550 lm
929003756602	CorePro LED PLS 3.5W 830 2P G23	3000 K	830	360 lm
929003756702	CorePro LED PLS 3.5W 840 2P G23	4000 K	840	390 lm

## Operating and Electrical

Order Code	Full Product Name	Line Frequency	Power Consumption
929001926302	CorePro LED PLS 5W 830 2P G23	50 to 60 Hz	5 W
929001926402	CorePro LED PLS 5W 840 2P G23	50 to 60 Hz	5 W
929003756802	CorePro LED PLS 5W 830 2P G23	-	5 W

Order Code	Full Product Name	Line Frequency	Power Consumption
929003756902	CorePro LED PLS 5W 840 2P G23	-	5 W
929003756602	CorePro LED PLS 3.5W 830 2P G23	-	3.5 W
929003756702	CorePro LED PLS 3.5W 840 2P G23	-	3.5 W

## Temperature

Order Code	Full Product Name	T-Case Maximum (Nom)
929001926302	CorePro LED PLS 5W 830 2P G23	83 °C
929001926402	CorePro LED PLS 5W 840 2P G23	83 °C
929003756802	CorePro LED PLS 5W 830 2P G23	50 °C

Order Code	Full Product Name	T-Case Maximum (Nom)
929003756902	CorePro LED PLS 5W 840 2P G23	50 °C
929003756602	CorePro LED PLS 3.5W 830 2P G23	45 °C
929003756702	CorePro LED PLS 3.5W 840 2P G23	45 °C

## Mechanical and Housing

Order Code	Full Product Name	Bulb Finish
929001926302	CorePro LED PLS 5W 830 2P G23	-
929001926402	CorePro LED PLS 5W 840 2P G23	-
929003756802	CorePro LED PLS 5W 830 2P G23	Frosted

Order Code	Full Product Name	Bulb Finish
929003756902	CorePro LED PLS 5W 840 2P G23	Frosted
929003756602	CorePro LED PLS 3.5W 830 2P G23	Frosted
929003756702	CorePro LED PLS 3.5W 840 2P G23	Frosted

## Approval and Application

Order Code	Full Product Name	Energy	
		Ambient temperature range	Consumption kWh/1000 h
929001926302	CorePro LED PLS 5W 830 2P G23	-20 °C to 45 °C	5 kWh

Order Code	Full Product Name	Energy	
		Ambient temperature range	Consumption kWh/1000 h
929001926402	CorePro LED PLS 5W 840 2P G23	-20 °C to 45 °C	5 kWh

# CorePro LED PLS

Order Code	Full Product Name	Ambient temperature range	Energy
			Consumption kWh/1000 h
929003756802	CorePro LED PLS 5W 830 2P G23	-20 to +45 °C	5 kWh
929003756902	CorePro LED PLS 5W 840 2P G23	-20 to +45 °C	5 kWh
929003756602	CorePro LED PLS 3.5W 830 2P G23	-20 to +45 °C	4 kWh
929003756702	CorePro LED PLS 3.5W 840 2P G23	-20 to +45 °C	4 kWh

