



Premium, plastic, A-shape lamps with best-in-class warm glow dimming, and long lifetime targeted towards the high-end retail and hospitality market

MasterClass Plastic (WarmGlow) A-Shape Lamps

Provides a wide variety of premium features, such as best-in-class warm glow dimmability, 25,000 hours long lifetime, and Title 20 certification, ideal for decorative and ambient lighting in high-end retail outlets, hotels, and restaurants.

Benefits

- Ideal for creating a cosy atmosphere with warm glow dimming
- Long lifetime that reduces the need for replacements
- Title 20 listed – can be sold in California

MasterClass Plastic (WarmGlow) A-Shape Lamps

Features

- Plastic bulb
- Best-in-class warm glow dimming (2200-2700K)
- Long lifetime up to 25,000 hours
- Very good light quality with excellent color rendering (CRI90)

Application

- Hospitality
- Retail
- High-end/luxury retail

Versions



LEDbulb CorePro 19.5-150W E27
A67 Frosted 827 15D ND

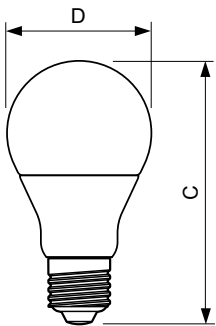


LEDbulb A19 E26 FR T20



LEDbulb E26 A9 FR 1

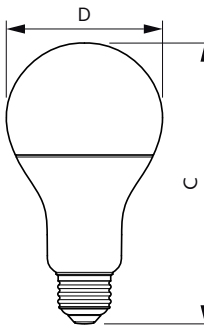
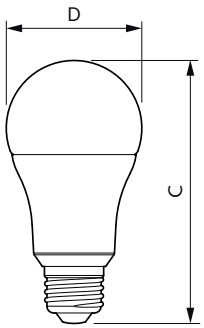
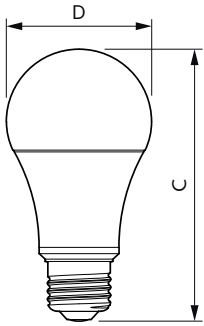
Dimensional drawing



Product	D	C
5A19/MAS/927-22/FR/P/E26/T20 6/1CT	62.5 mm	111.5 mm
8.8A19/MAS/927-22/FR/P/E26/T20 6/1CT	62.5 mm	111.5 mm

MasterClass Plastic (WarmGlow) A-Shape Lamps

Dimensional drawing



Product	D	C
12.2A19/MAS/927-22/FR/P/E26/T20 6/1CT	60 mm	112 mm
16A19/PER/927-22/P/E26/WG 6/1FB T20	60 mm	112 mm

Product	D	C
14A19/MAS/927-22/FR/P/E26/T20 6/1CT	60 mm	117 mm

Product	D	C
29A21/PER/827/FR/P/E26/WG/HO 4/1PF	77 mm	138 mm

General Information	
Cap-Base	E26
Switching Cycle	50,000
Light Technical	
LLMF At End Of Nominal Lifetime (Nom)	70 %
Operating and Electrical	
Input Frequency	60 Hz
Starting Time (Nom)	0.5 s
Mechanical and Housing	
Bulb Finish	Frosted

General Information

MasterClass Plastic (WarmGlow) A-Shape Lamps

Order Code	Full Product Name	Rated	Nominal
		Lifetime (Hours)	lifetime
929002343033	29A21/PER/827/FR/P/E26/WG/HO 4/1PF	15,000 hour(s)	15,000 hour(s)
929001940704	5A19/MAS/927-22/FR/P/E26/T20 6/1CT	-	25,000 hour(s)
929001940904	8.8A19/MAS/927-22/FR/P/E26/T20 6/1CT	-	25,000 hour(s)

Order Code	Full Product Name	Rated	Nominal
		Lifetime (Hours)	lifetime
929003784504	14A19/MAS/927-22/FR/P/E26/T20 6/1CT	-	25,000 hour(s)
929002285404	12.2A19/MAS/927-22/FR/P/E26/T20 6/1CT	-	25,000 hour(s)
929002285504	16A19/PER/927-22/P/E26/WG 6/1FB T20	-	15,000 hour(s)

Light Technical

Order Code	Full Product Name	Beam Angle (Nom)	Correlated Color Temperature (Nom)	Color rendering index (CRI)	Color Code	Luminous Flux
929002343033	29A21/PER/827/FR/P/E26/WG/HO 4/1PF	250 degree(s)	2200 K	80	822-827	2,610 lm
929001940704	5A19/MAS/927-22/FR/P/E26/T20 6/1CT	200 degree(s)	2200 K	90	922-927	450 lm
929001940904	8.8A19/MAS/927-22/FR/P/E26/T20 6/1CT	200 degree(s)	2200 K	90	922-927	800 lm
929003784504	14A19/MAS/927-22/FR/P/E26/T20 6/1CT	200 degree(s)	Selectable	90	922-927	1,500 lm
929002285404	12.2A19/MAS/927-22/FR/P/E26/T20 6/1CT	200 degree(s)	2200 K	90	922-927	1,100 lm
929002285504	16A19/PER/927-22/P/E26/WG 6/1FB T20	250 degree(s)	2200 K	90	922-927	1,600 lm

Operating and Electrical

Order Code	Full Product Name	Line	Power	Wattage
		Frequency	Consumption	Equivalent
929002343033	29A21/PER/827/FR/P/E26/WG/HO 4/1PF	-	29 W	150 W
929001940704	5A19/MAS/927-22/FR/P/E26/T20 6/1CT	60 Hz	5 W	40 W
929001940904	8.8A19/MAS/927-22/FR/P/E26/T20 6/1CT	60 Hz	8.8 W	60 W
929003784504	14A19/MAS/927-22/FR/P/E26/T20 6/1CT	-	14 W	100 W

Order Code	Full Product Name	Line	Power	Wattage
		Frequency	Consumption	Equivalent
929002285404	12.2A19/MAS/927-22/FR/P/E26/T20 6/1CT	60 Hz	12.2 W	75 W
929002285504	16A19/PER/927-22/P/E26/WG 6/1FB T20	60 Hz	16 W	100 W

Temperature

Order Code	Full Product Name	Ambient temperature	T-Case
		range	Maximum (Nom)
929002343033	29A21/PER/827/FR/P/E26/WG/HO 4/1PF	-20 to +45 °C	100 °C
929001940704	5A19/MAS/927-22/FR/P/E26/T20 6/1CT	-20 to +45 °C	65 °C
929001940904	8.8A19/MAS/927-22/FR/P/E26/T20 6/1CT	-20 to +45 °C	75 °C
929003784504	14A19/MAS/927-22/FR/P/E26/T20 6/1CT	-20 to +45 °C	100 °C

Order Code	Full Product Name	Ambient temperature	T-Case
		range	Maximum (Nom)
929002285404	12.2A19/MAS/927-22/FR/P/E26/T20 6/1CT	-20 to +45 °C	90 °C
929002285504	16A19/PER/927-22/P/E26/WG 6/1FB T20	-	90 °C

Controls and Dimming

MasterClass Plastic (WarmGlow) A-Shape Lamps

Order Code	Full Product Name	Dimmable
929002343033	29A21/PER/827/FR/P/E26/WG/HO 4/1PF	Only with specific dimmers
929001940704	5A19/MAS/927-22/FR/P/E26/T20 6/1CT	Only with specific dimmers
929001940904	8.8A19/MAS/927-22/FR/P/E26/T20 6/1CT	Only with specific dimmers

Order Code	Full Product Name	Dimmable
929003784504	14A19/MAS/927-22/FR/P/E26/T20 6/1CT	Only with specific dimmers
929002285404	12.2A19/MAS/927-22/FR/P/E26/T20 6/1CT	Only with specific dimmers
929002285504	16A19/PER/927-22/P/E26/WG 6/1FB T20	Yes

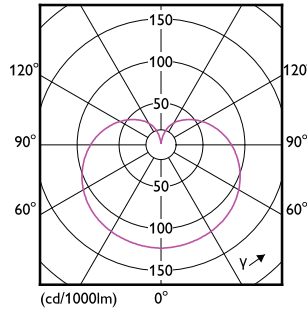
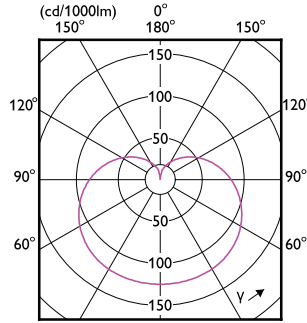
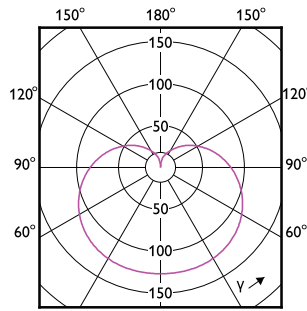
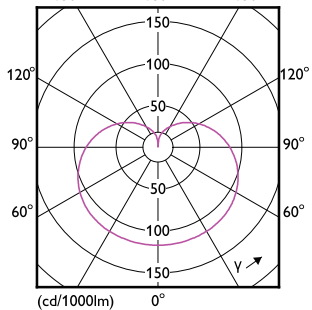
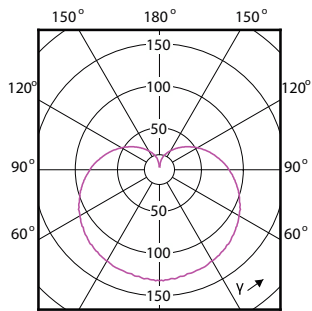
Mechanical and Housing

Order Code	Full Product Name	Bulb Shape
929002343033	29A21/PER/827/FR/P/E26/WG/HO 4/1PF	A21
929001940704	5A19/MAS/927-22/FR/P/E26/T20 6/1CT	A19
929001940904	8.8A19/MAS/927-22/FR/P/E26/T20 6/1CT	A19

Order Code	Full Product Name	Bulb Shape
929003784504	14A19/MAS/927-22/FR/P/E26/T20 6/1CT	A19
929002285404	12.2A19/MAS/927-22/FR/P/E26/T20 6/1CT	A19
929002285504	16A19/PER/927-22/P/E26/WG 6/1FB T20	A19

Approval and Application

Order Code	Full Product Name	Energy Consumption kWh/1000 h
929002343033	29A21/PER/827/FR/P/E26/WG/HO 4/1PF	-
929001940704	5A19/MAS/927-22/FR/P/E26/T20 6/1CT	- kWh
929001940904	8.8A19/MAS/927-22/FR/P/E26/T20 6/1CT	- kWh
929003784504	14A19/MAS/927-22/FR/P/E26/T20 6/1CT	-
929002285404	12.2A19/MAS/927-22/FR/P/E26/T20 6/1CT	- kWh
929002285504	16A19/PER/927-22/P/E26/WG 6/1FB T20	- kWh



MasterClass Plastic (WarmGlow) A-Shape Lamps

