



# The Highest Energy efficient LED replacement for HID HPL/SON road lamps with MASTER - LED HID SON-T - UE

## MASTER - LED HID SON-T - Ultra Efficient

Philips MASTER - LED HID SON-T Ultra Efficient lamps are an easy LED solution with the highest efficiency to replace High-Intensity Discharge (HID) and High-Pressure Sodium (SON) lamps. MASTER - LED HID SON-T UE solutions bring the energy efficiency and long lifetime benefits of LED to HID replacement, providing instant savings for low energy costs. With the right lamp size and light distribution, you can easily use MASTER - LED HID SON-T UE lamps into existing SON and SON-T systems, enhancing the lighting quality with LED by removing the luminaire's ballast for direct Mains working, gaining additional savings.

### Benefits

- Additional costs savings by Mains wiring
- >60% cost savings
- 50K hrs lifetime

# MASTER - LED HID SON-T - Ultra Efficient

## Features

- Highest Energy efficient lamps >210lm/W
- Long lifetime - 50,000 hrs
- Surge protection 4KV
- Pleasant white light with CRI 70
- Omnidirectional light around lamp
- Right lamp size and lighting distribution for direct retrofit
- Additional Energy saving by Direct Mains connection
- IP65 product (IP rated sockets required for outdoor application)

## Application

- Road & streets
- Parks
- Urban

## Warnings and Safety

- Installation should always be performed by a qualified electrician or installer. Use the installation guide for instructions.

## Versions

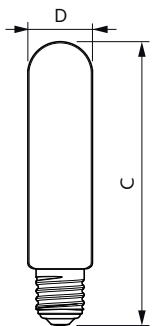


LEDTForce MAS SONT EU1



LEDTForce MAS SONT EU1

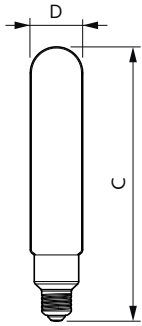
## Dimensional drawing



Product	D	C
MAS LED SON-T UE M 8Klm 42.8W 727 E40	53 mm	236 mm
MAS LED SON-T UE M 9Klm 42.8W 740 E40	53 mm	236 mm

# MASTER - LED HID SON-T - Ultra Efficient

## Dimensional drawing



Product	D	C
MAS LED SON-T UE M 3.6Klm 19W 727 E27	47 mm	227 mm
MAS LED SON-T UE M 4Klm 19W 740 E27	47 mm	227 mm
MAS LED SON-T UE M 5.4Klm 28.5W 727 E27	47 mm	227 mm
MAS LED SON-T UE M 6Klm 28.5W 740 E27	47 mm	227 mm

General Information	
Switching Cycle	50,000
Nominal lifetime	50,000 hour(s)
Light Technical	
Beam Angle (Nom)	300 degree(s)
Color rendering index (CRI)	70
LLMF At End Of Nominal Lifetime (Nom)	70 %
Operating and Electrical	
Input Frequency	50 to 60 Hz
Line Frequency	50 to 60 Hz
Starting Time (Nom)	0.5 s
Controls and Dimming	
Dimmable	No
Mechanical and Housing	
Bulb Finish	Clear
Approval and Application	
Ambient temperature range	-30 to +45 °C

## General Information

Order Code	Full Product Name	Cap-Base
929003677302	MAS LED SON-T UE M 5.4Klm 28.5W 727 E27	E27
929003677402	MAS LED SON-T UE M 6Klm 28.5W 740 E27	E27
929003677102	MAS LED SON-T UE M 3.6Klm 19W 727 E27	E27
929003677202	MAS LED SON-T UE M 4Klm 19W 740 E27	E27
929003677502	MAS LED SON-T UE M 8Klm 42.8W 727 E40	E40
929003677602	MAS LED SON-T UE M 9Klm 42.8W 740 E40	E40

## Light Technical

Order Code	Full Product Name	Correlated Color		
		Temperature (Nom)	Color Code	Luminous Flux
929003677302	MAS LED SON-T UE M 5.4Klm 28.5W 727 E27	2700 K	727	5,400 lm
929003677402	MAS LED SON-T UE M 6Klm 28.5W 740 E27	4000 K	740	6,000 lm
929003677102	MAS LED SON-T UE M 3.6Klm 19W 727 E27	2700 K	727	3,600 lm

Order Code	Full Product Name	Correlated Color		
		Temperature (Nom)	Color Code	Luminous Flux
929003677202	MAS LED SON-T UE M 4Klm 19W 740 E27	4000 K	740	4,000 lm
929003677502	MAS LED SON-T UE M 8Klm 42.8W 727 E40	2700 K	727	8,000 lm
929003677602	MAS LED SON-T UE M 9Klm 42.8W 740 E40	4000 K	740	9,000 lm

## Operating and Electrical

# MASTER - LED HID SON-T - Ultra Efficient

Order Code	Full Product Name	Power Consumption
929003677302	MAS LED SON-T UE M 5.4Klm 28.5W 727 E27	28.5 W
929003677402	MAS LED SON-T UE M 6Klm 28.5W 740 E27	28.5 W
929003677102	MAS LED SON-T UE M 3.6Klm 19W 727 E27	19 W

Order Code	Full Product Name	Power Consumption
929003677202	MAS LED SON-T UE M 4Klm 19W 740 E27	19 W
929003677502	MAS LED SON-T UE M 8Klm 42.8W 727 E40	42.8 W
929003677602	MAS LED SON-T UE M 9Klm 42.8W 740 E40	42.8 W

## Temperature

Order Code	Full Product Name	T-Case Maximum (Nom)
929003677302	MAS LED SON-T UE M 5.4Klm 28.5W 727 E27	42.03 °C
929003677402	MAS LED SON-T UE M 6Klm 28.5W 740 E27	41.51 °C
929003677102	MAS LED SON-T UE M 3.6Klm 19W 727 E27	39.56 °C

Order Code	Full Product Name	T-Case Maximum (Nom)
929003677202	MAS LED SON-T UE M 4Klm 19W 740 E27	39.56 °C
929003677502	MAS LED SON-T UE M 8Klm 42.8W 727 E40	44.02 °C
929003677602	MAS LED SON-T UE M 9Klm 42.8W 740 E40	48.3 °C

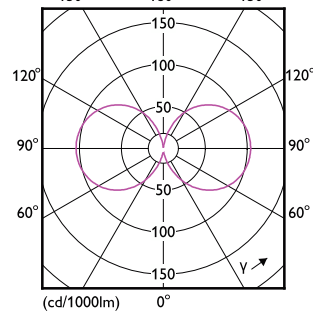
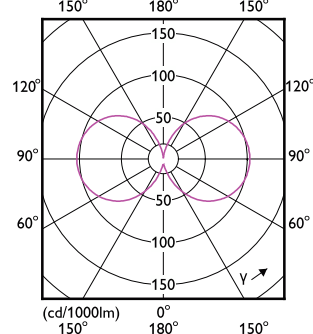
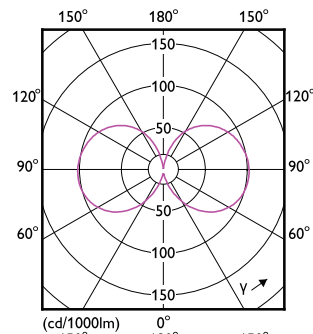
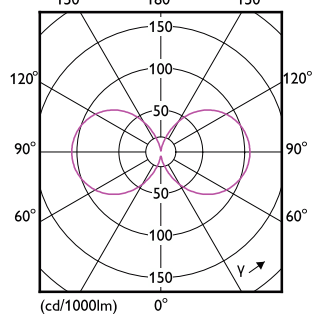
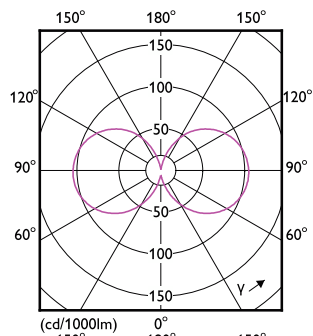
## Mechanical and Housing

Order Code	Full Product Name	Bulb Shape
929003677302	MAS LED SON-T UE M 5.4Klm 28.5W 727 E27	T46
929003677402	MAS LED SON-T UE M 6Klm 28.5W 740 E27	T46
929003677102	MAS LED SON-T UE M 3.6Klm 19W 727 E27	T46

Order Code	Full Product Name	Bulb Shape
929003677202	MAS LED SON-T UE M 4Klm 19W 740 E27	T46
929003677502	MAS LED SON-T UE M 8Klm 42.8W 727 E40	T52
929003677602	MAS LED SON-T UE M 9Klm 42.8W 740 E40	T52

## Approval and Application

Order Code	Full Product Name	Energy Consumption kWh/1000 h
929003677302	MAS LED SON-T UE M 5.4Klm 28.5W 727 E27	29 kWh
929003677402	MAS LED SON-T UE M 6Klm 28.5W 740 E27	29 kWh
929003677102	MAS LED SON-T UE M 3.6Klm 19W 727 E27	19 kWh
929003677202	MAS LED SON-T UE M 4Klm 19W 740 E27	19 kWh
929003677502	MAS LED SON-T UE M 8Klm 42.8W 727 E40	43 kWh
929003677602	MAS LED SON-T UE M 9Klm 42.8W 740 E40	43 kWh



# MASTER - LED HID SON-T - Ultra Efficient

