

# BRP591/592/593/594/595

Mounting instruction/ 安装说明

4441 702 64741



GB 7000

IP66

IK08



Class I



RoHS



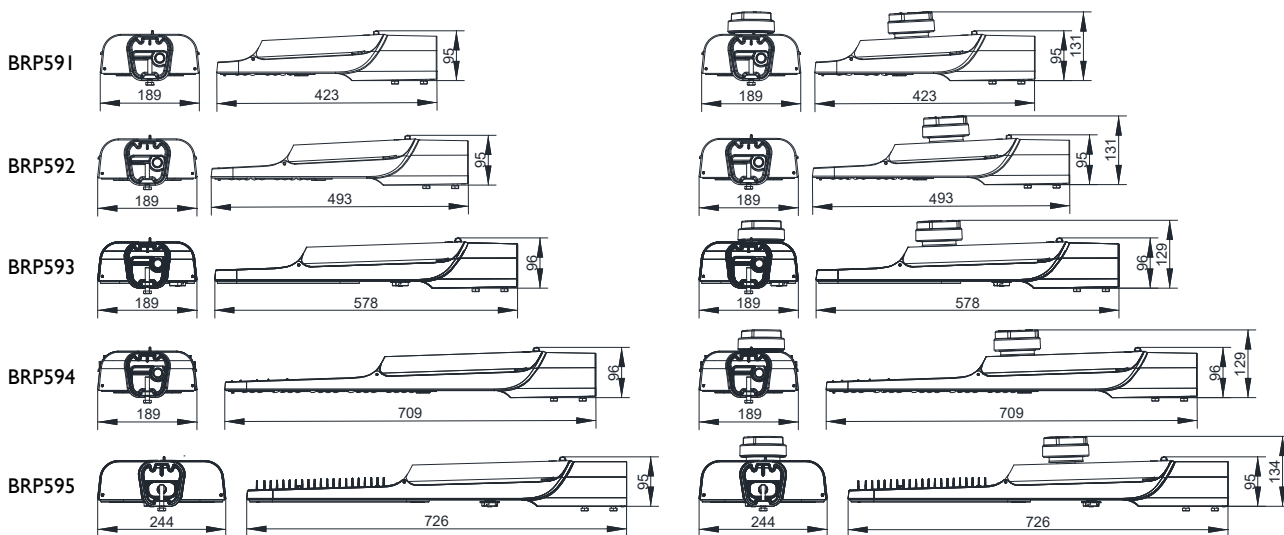
220-240V  
50/60Hz

Type	LEDs	Power (W)	Weight (kg)	L*W*H (mm)	Wind force area (m <sup>2</sup> )	CCT (K)	Type	LEDs	Power (W)	Weight (kg)	L*W*H (mm)	Wind force area (m <sup>2</sup> )	CCT (K)
型号	颗粒	功率	重量	长*宽*高	风压面积	色温	型号	颗粒	功率	重量	长*宽*高	风压面积	色温
BRP591 42LED265 (WW,R) BRP591 42LED275 (WW,R)	42	70					BRP595 99LED265 (WW)	99	160				
BRP591 42LED305 (WW,R) BRP591 42LED315 (WW,R)	42	80	≈3.3	423*189*95	0.08		BRP595 99LED280 (WW)	99	170				
BRP591 42LED340 (WW,R) BRP591 42LED350 (722,727,WW,R)	42	90					BRP595 99LED300 (WW)	99	180	≈6.8	726*244*95		
BRP591 42LED315 WW P7	42	80	≈3.4	423*189*131			BRP595 99LED315 (WW)	99	190				
BRP592 60LED270 (WW,R) BRP592 60LED280 (WW,R)	60	100					BRP595 99LED330 (722,727,WW)	99	200				
BRP592 60LED300(WW,R) BRP592 60LED305 (WW,R)	60	110	≈3.5	493*189*95	0.09		BRP595 99LED330 P7	99	200	≈7.1	726*244*139		
BRP592 60LED330 (WW,R)	60	120					BRP595 117LED300 (WW)	117	210				
BRP592 60LED350 (722,727,WW,R)	60	130					BRP595 117LED310 (WW)	117	220	≈6.8	726*244*95		
BRP592 60LED330 WW P7	60	120	≈3.6	493*189*131			BRP595 117LED325 (WW)	117	230				
BRP593 42LED270 (WW,R)	42	70					BRP595 117LED340 (WW)	117	240	≈7.1	726*244*139		
BRP593 42LED310 (WW,R)	42	80	≈4.0	578*189*95			BRP595 117LED350 (722,727,WW)	117	250				
BRP593 42LED345 (722,727,WW,R)	42	90					BRP595 117LED350 P7	117	250	≈7.1	726*244*139		
BRP593 42LED350 P7	42	90	≈4.2	578*189*129			BRP595 144LED300 (WW)	144	260				
BRP593 60LED275(WW,R)	60	100					BRP595 144LED310 (WW)	144	270	≈6.8	726*244*95		
BRP593 60LED305 (WW,R)	60	110	≈4.0	578*189*95	0.11		BRP595 144LED315 (WW)	144	270				
BRP593 60LED330(722,727,WW,R)	60	120					BRP595 144LED320 (WW)	144	280				
BRP593 60LED350 P7	60	130	≈4.2	578*189*129			BRP595 144LED325 (WW)	144	280				
BRP593 72LED300 (WW,R) BRP593 72LED305 (WW,R)	72	130					BRP595 144LED330 (WW)	144	290				
BRP593 72LED320 (WW,R) BRP593 72LED325 (WW,R)	72	140	≈4.0	578*189*95			BRP595 144LED335 (WW)	144	290				
BRP593 72LED345 (WW,R) BRP593 72LED350 (722,727,WW,R)	72	150					BRP595 144LED340 (WW)	144	300				
BRP593 72LED350 P7	72	150	≈4.2	578*189*129			BRP595 144LED345 (WW)	144	300				
BRP594 96LED275 (WW) BRP594 96LED285 (WW)	96	160					BRP595 144LED350 (722,727,WW)	144	300				
BRP594 96LED295 (WW)	96	170					BRP595 144LED340 P7	144	300	≈7.1	726*244*139		
BRP594 96LED310 (WW) BRP594 96LED315 (WW)	96	180					BRP595 144LED345 P7	144	300				
BRP594 96LED330 (WW)	96	190					BRP595 144LED350 P7	144	300				
BRP594 96LED345 (WW) BRP594 96LED350 (WW)	96	200					BRP595 144LED350 WW P7	144	300				
BRP594 96LED365 (WW)	96	210	≈4.6	709*189*95			BRP595 144LED40 OS	144	35				
BRP594 96LED380 (WW)	96	220					BRP595 144LED50 OS	144	43				
BRP594 96LED395 (722,727,WW)	96	230					BRP595 144LED60 OS	144	51				
BRP594 114LED310 (WW)	114	210					BRP595 144LED70 OS	144	59				
BRP594 114LED325 (WW)	114	220					BRP595 144LED78 OS	144	65				
BRP594 114LED335 (WW)	114	230					BRP595 144LED80 OS	144	68	≈6.3	726*244*95	0.18	4000
BRP594 114LED350 (WW) BRP594 114LED355 (722,727,WW)	114	250					BRP595 144LED90 OS	144	76				
BRP594 96LED350 WW P7	96	200					BRP595 144LED100 OS	144	84				
BRP594 96LED395 P7	96	230	≈4.8	709*189*129			BRP595 144LED110 OS	144	92				
BRP594 114LED355 P7	114	250					BRP595 144LED120 OS	144	100				

产品尺寸 Product Size

标准版 Standard version

控制版 System ready



单位: 毫米  
Unit: mm

Signify (China) Investment Co., Ltd.  
Building No. 9, Lane 888 Tianlin Road,  
Minhang District, Shanghai, China  
Postalcode: 200233  
斯诺飞 (中国) 投资有限公司  
中国上海市闵行区田林路888弄9号楼  
邮编: 200233

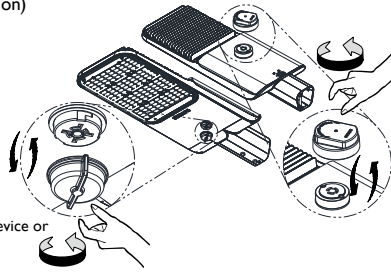
内容如有变更, 恕不另行通知

# PHILIPS

Philips and the Philips shield emblem are registered trademarks of Koninklijke Philips N.V.

**短路帽(仅P7 NEMA/SRB版本的产品)**  
Shorting cap (only for P7 NEMA/SRB version)

1. 须有资质的电工安装。  
Shall be fixed by a qualified electrician.
2. 须顺时针拧到底, 旋转约10°。  
Shall be fixed clockwise until the end. Rotation angle is about 10°.
3. 此灯具提供的短路帽使用寿命3年。  
Shorting cap provided with the luminaire is rated for 3 years service life.
4. 短路帽须在3年内更换为预定设备或者更换。  
Shorting cap should be replaced with intended device or replaced within 3 years.

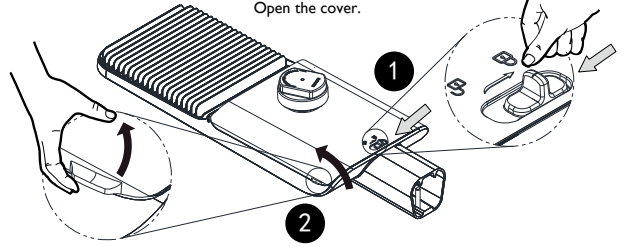


Node和Sensor安装参考对应的说明书。  
Node and sensor installation refer to their MI.

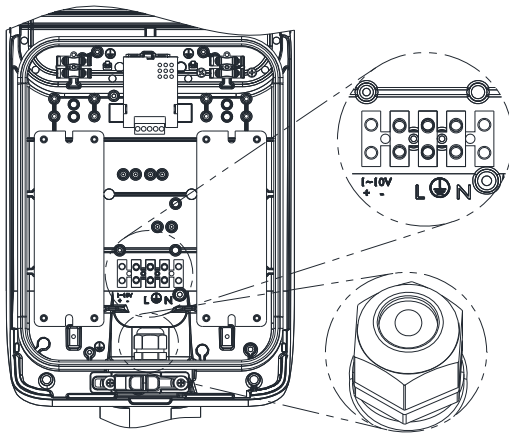
注意: 须使用Signify推荐的短路帽, 确保IP66。  
Note: Must use Signify suggested short cap to ensure IP66

**1 打开盖子**  
Open the cover

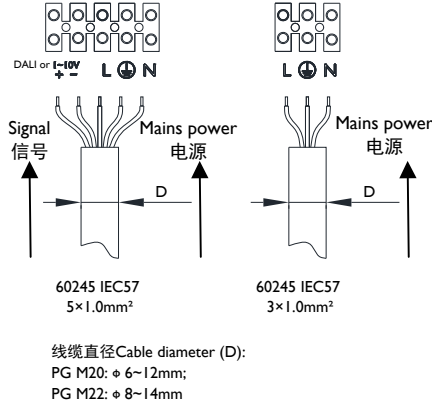
1. 用手向下按压盖子, 按箭头方向拨动按钮。  
Press the cover by hand and slide from lock to unlock.
2. 然后打开腔盖。  
Open the cover.



**2 Connect the power cord 接电源线**



PG M20/M22



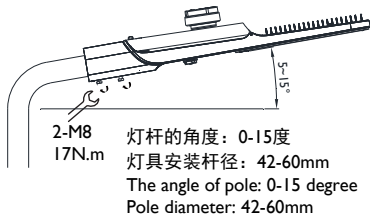
扭矩: 10Nm  
Torque: 10Nm



将电源线防水接头旋开螺帽, 去掉前端密封堵头, 保留橡胶衬套。插入线缆, 确保橡胶衬套不掉出, 然后旋紧螺帽。  
Loosen the cap of cable gland, then remove the front plug, should keep the rubber lining in. Insert the cable in and ensure the inner sealing tube not fall off, then fasten the cap.

**Notice:**  
Correct connection for polarities.  
注意: 正确的极性连接。

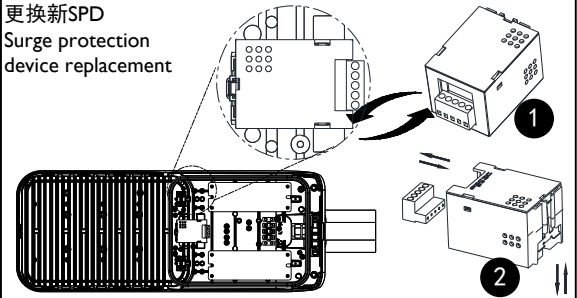
**3 将灯具安装到灯杆上**  
Install the luminaire on the pole.



**黑色眩光环 (DW2以外型号)**  
Glare Ring in black (except for DW2)



**更换新SPD**  
Surge protection device replacement



警告: 触电危险

1. The luminaire shall be installed by a qualified electrician and wired in accordance with the latest IEEE electrical regulations or the national requirements.  
灯具应由有资质的电工安装, 接线要符合IEE 电气标准或国家标准。
2. Switch off main power supply before installation, maintenance and any operation..  
安装、维护和任何操作前, 必须切断电源。
3. The light source and/or control gear contained in this luminaire shall only be replaced by the manufacturer or his service agent or a similar qualified person.  
本灯具所包含的光源和/或驱动器只能由制造商或其服务商或有类似资格的人更换。
4. Earthing contact to customer end on luminaire must be connected by installer, including whole use process that the earthing contact is always reliably linked to earth ground.  
灯具接线安装人员必须将灯具上预留给客户连接到大地的接地点连接上, 并且在灯具整个使用过程中, 灯具上的接地点和大地之间的连接接触是总是可靠的。
5. The luminaire should be positioned so that prolonged staring into the luminaire at a distance closer than 4.8 m is not expected.  
应将灯具放在不会近于4.8米的距离持续盯着灯具看的位置。
6. The insulation between LV and control circuit is basic insulation.  
LV电源与控制导体之间所保持的绝缘类型是基本绝缘
7. The luminaire should avoid storage and usage in such a surroundings or an occasion that is with corrosion or hazardous gases like sulfide, halide, phthalate and so on.  
灯具应避免在有腐蚀或有害气体物存在的环境或场合储存或使用, 像硫化物, 卤化物, 邻苯二甲酸酯等。
8. The PC material cannot be used in such a ambience that is with ethylamine, tetra-dichloroethylene, which is corrosion or hazardous to PC material and so on.  
灯具PC材料不能被使用在含乙胺, 四氯乙烯对PC材料有腐蚀或有害的环境使用。
9. For periodically cleaning maintenance of luminaire which PC material is exposed to outside, Acid solution or alkali solution cannot be used as a cleaning solution to wash outside surface of luminaire.  
为了定期的清洗维护灯具的目的, 对于PC材料暴露在灯具外面的, 酸性或碱性溶液不能被用来作为冲洗灯具的外表面。
10. Manufacturer is not responsible to improper use, change and modification structure on luminaire.  
Any damage or unsafety losses caused by these factors under not to be allowed, manufacturer do not take any responsibility for this situation.  
对于不恰当的使用、更改和修改灯具结构, 在未经许可的情况下, 任何灯具损坏或由此引起的不安全损失, 制造商将不承担任何责任。
11. All materials used in luminaire must be compliance to RoHS as the table.  
所有在灯具中使用的材料, 必须符合遵守表中的要求。

部件名称	产品中有害物质的名称及含量					
	铅 (Pb)	汞 (Hg)	镉 (Cd)	六价铬 (Cr(VI))	多溴联苯 (PBB)	多溴二苯醚 (PBDE)
LED灯板/光源	○	○	○	○	○	○
驱动器 (板), 铜制及电子零部件	×	○	○	○	○	○
透镜光学部件	○	○	○	○	○	○
外壳及其它零部件	○	○	○	○	○	○

本表格依据S1/T 11364的规定编制  
 ○: 表示该有害物质在该部件所有均质材料中的含量均在GB/T 26572规定的限量要求以下。  
 ×: 表示该有害物质至少在该部件的某一均质材料中的含量超出GB/T 26572规定的限量要求。

内容如有变更, 恕不另行通知