



DDNG232

RS-232 Network Gateway

DIN-rail serial port integration

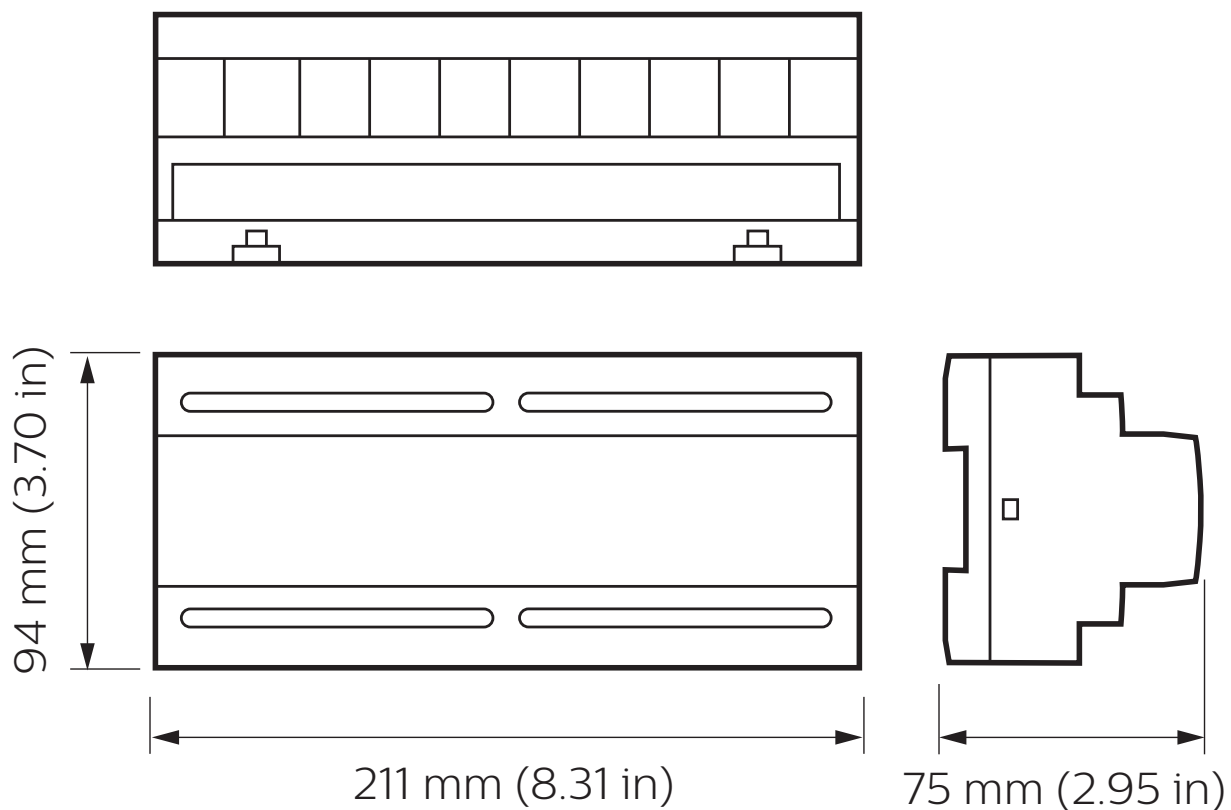
The Philips Dynalite DDNG232 network gateway provides cost-effective serial port integration between a DyNet network and third-party systems.

DDNG232

DIN-rail serial port integration

- **Seamless integration with third-party systems** – Including AV systems, lighting desks, data projectors, HVAC, BMS and security systems.
- **Internal controls** – Programmable logic controller capable of comprehensive conditional and sequential logic and arithmetic function processing.
- **Predefined data format library or create your own** – A library of data formats is available for systems integrators, or can be created using the onboard conditional logic engine to assemble and transmit user-defined data strings.
- **Macro functions available** – To simplify the control of multiple devices.
- **Flexible mounting solution** – DIN-rail mountable, designed to be installed into a distribution board or other electrical enclosure.

Dimensions



Specifications

Due to continuous improvements and innovations, specifications may change without notice.



DDNG232
RS-232 Network Gateway

Electrical

Supply Type	Single-phase
Supply Voltage	240 VAC
Supply Current	100 mA
DyNet DC Output Voltage	12 VDC
DyNet DC Output Current	90 mA
IEC Overvoltage Category	III

Control

Communication Ports	1 x RS-485 1 x RS-232
Supported Protocols	DyNet
RS-232 Port Modes	DTE, DCE (jumper-selectable)
Dry Contact Inputs	1 (AUX)
User Controls	1 x service switch
Indicators	1 x service LED
Diagnostic Functions	Device online/offline status

RS-232 Data Formats

Baud Rate	600 - 250,000
Maximum Packet Length	254 bytes
Data Bits	7/8
Stop Bits	1/2
Parity	Odd/even/none
Flow Control	None/RTS-CTS

Physical

Dimensions (H x W x D)	94 x 211 x 75 mm (3.70 x 8.31 x 2.95 in)
Packed Weight	0.86 kg (1.90 lb)
Construction	Polycarbonate DIN-rail enclosure (12 unit)
Communication Ports	1 x DB-9 (female) 1 x RJ12 6 x screw terminal
Communication Terminal Conductor Size	2.5 mm ² (#12 AWG) (max)
Supply Terminals	3 x screw terminal
Supply Terminal Conductor Size	4 mm ² (#11 AWG) (max)

Environment*

Operating Temperature	-0° to 50°C ambient (32° to 122°F)
Storage/Transport Temperature	-25° to 70°C ambient (-13° to 158°F)
Humidity	0 to 90% non-condensing
IEC Pollution Degree	III

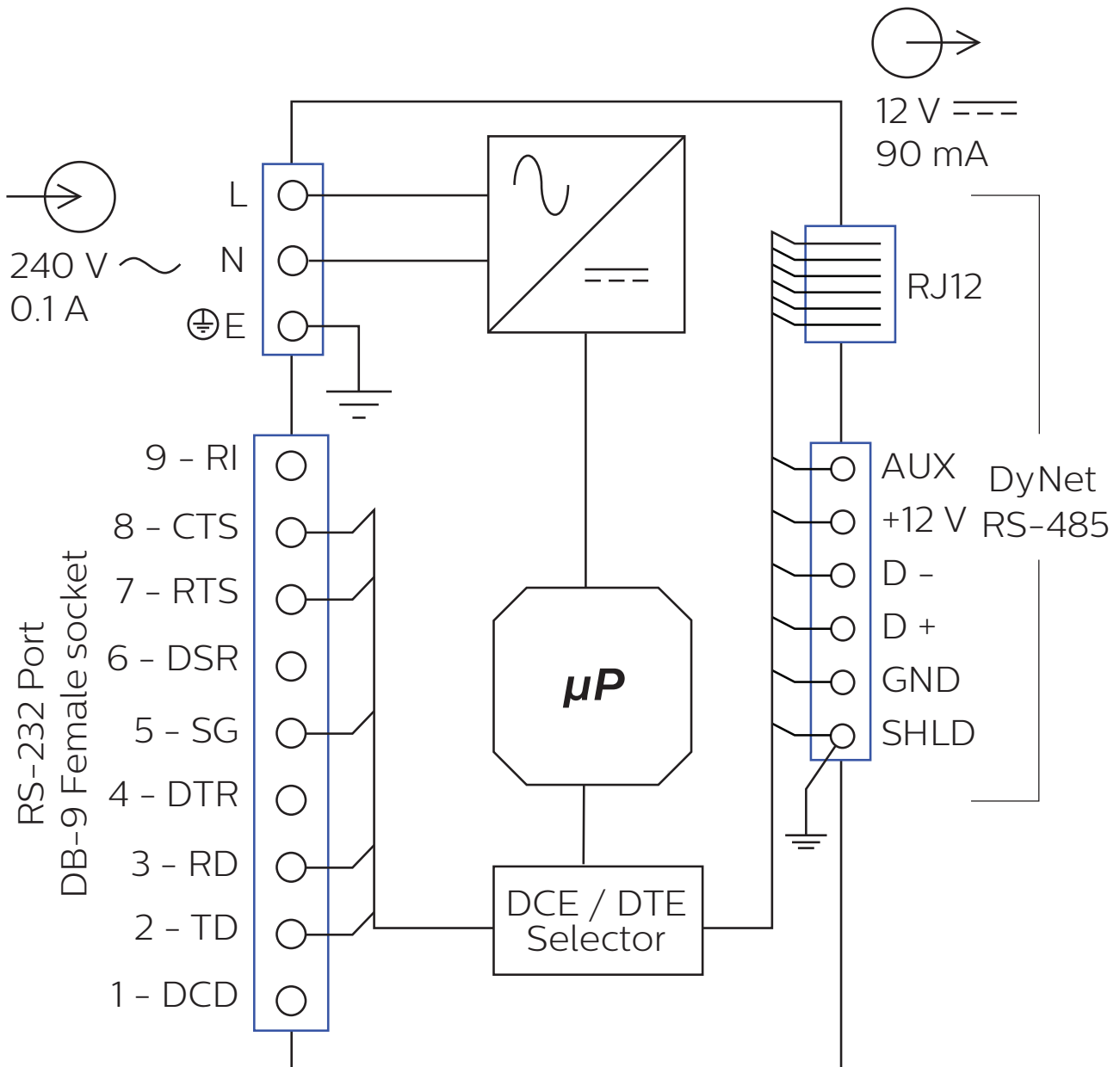
Compliance

Certification	CE, RCM, UKCA, RoHS
---------------	---------------------

* For indoor installation only



Electrical



Ordering Code

Product

DDNG232

Philips 12NC

913703081809



© 2021 Signify Holding. All rights reserved. Specifications are subject to change without notice. No representation or warranty as to the accuracy or completeness of the information included herein is given and any liability for any action in reliance thereon is disclaimed. Philips and the Philips Shield Emblem are registered trademarks of Koninklijke Philips N.V. All other trademarks are owned by Signify Holding or their respective owners.