



# MASTER LEDspot ExpertColor LV



## MAS LED ExpertColor 7.5-43W MR16 940 36D

MASTER LEDspot LV ExpertColor creates a warm and comfortable ambience for hospitality venues, homes and restaurants. It creates such an ambience with superior lighting that has a customized spectrum, high CRI, and deep dimming feature. The result? A beautiful lighting experience. What's more, the innovative, trimless lens design will suit almost any interior decor with its clean and neat look. In addition, you can take advantage of the full ExpertColor family, which also includes LEDspot MV and LEDspot Par lamps.

### Product data

| General Information                   |                    |
|---------------------------------------|--------------------|
| Cap-Base                              | GU5.3              |
| Nominal lifetime                      | 40,000 hour(s)     |
| Switching Cycle                       | 50,000             |
| Lighting Technology                   | LED                |
| Flux measurement reference            | Narrow Cone        |
| Light Technical                       |                    |
| Color Code                            | 940 [CCT of 4000K] |
| Beam Angle (Nom)                      | 36 degree(s)       |
| Luminous Flux                         | 520 lm             |
| Luminous Intensity (Nom)              | 1,650 cd           |
| Luminous Efficacy (rated) (Nom)       | 69.00 lm/W         |
| Color Designation                     | Cool White (CW)    |
| Correlated Color Temperature (Nom)    | 4000 K             |
| Color Consistency                     | <3                 |
| Color rendering index (CRI)           | 92                 |
| LLMF At End Of Nominal Lifetime (Nom) | 70 %               |

| Luminous Flux in 90° Cone (Rated)            | 520 lm             |
|--|--------------------|
| Photobiological safety according to EN 62471 | RG1                |
| Operating and Electrical                     |                    |
| Line Frequency                               | - Hz               |
| Input Frequency                              | - Hz               |
| Power Consumption                            | 7.5 W              |
| Lamp Current (Nom)                           | 720 mA             |
| Wattage Equivalent                           | 43 W               |
| Starting Time (Nom)                          | 0.5 s              |
| Warm-up time to 60% light                    | 0.5 s              |
| Power Factor (Fraction)                      | 0.7                |
| Voltage (Nom)                                | ac electronic 12 V |
| Temperature                                  |                    |
| T-Case Maximum (Nom)                         | 93 °C              |

# MASTER LEDspot ExpertColor LV

## Controls and Dimming

|          |                            |
|----------|----------------------------|
| Dimmable | Only with specific dimmers |
|----------|----------------------------|

## Mechanical and Housing

|            |      |
|------------|------|
| Bulb Shape | MR16 |
|------------|------|

## Approval and Application

|                               |        |
|-------------------------------|--------|
| Energy Efficiency Class       | G      |
| Suitable For Accent Lighting  | Yes    |
| Energy Consumption kWh/1000 h | 8 kWh  |
| EPREL Registration Number     | 624219 |
| CE mark                       | Yes    |
| EU RoHS compliant             | Yes    |
| EyeComfort                    | Yes    |

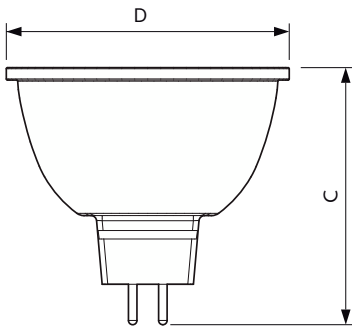
## Application Conditions

|                                     |    |
|-------------------------------------|----|
| can it be used in closed luminaires | No |
|-------------------------------------|----|

## Product Data

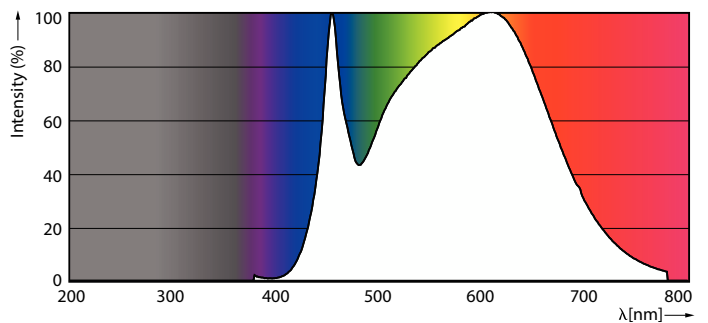
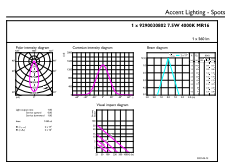
|                                 |  |
|---------------------------------|--|
| Order product name              | MAS LED ExpertColor 7.5-43W MR16 940 36D |
| Full product name               | MAS LED ExpertColor 7.5-43W MR16 940 36D |
| Full product code               | 871951435875100                          |
| Order code                      | 929003080202                             |
| Material Nr. (12NC)             | 929003080202                             |
| Numerator - Quantity Per Pack   | 1  |
| Net Weight (Piece)              | 0.052 kg                                 |
| EAN/UPC - Product/Case          | 8719514358751                            |
| Numerator - Packs per outer box | 10                                       |
| EAN/UPC - Case                  | 8719514358768                            |

## Dimensional drawing



| Product                                  | D       | C     |
|--|---------|-------|
| MAS LED ExpertColor 7.5-43W MR16 940 36D | 50.5 mm | 46 mm |

## Photometric data

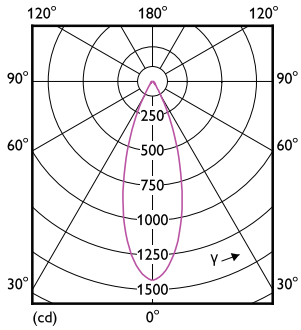


Accent Lighting Spots - MAS LED ExpertColor 7.5-43W MR16 940 36D

Spectral Power Distribution Colour - MAS LED ExpertColor 7.5-43W MR16 940 36D

# MASTER LEDspot ExpertColor LV

## Photometric data



Light Distribution Diagram - MAS LED ExpertColor 7.5-43W MR16 940 36D

## Lifetime



Life Expectancy Diagram



Lumen Maintenance Diagram - MAS LED ExpertColor 7.5-43W MR16 940 36D

