



MASTER LEDspot ExpertColor LV

MAS LED MR16 ExpertColor 6.7-50W 927 36D

MASTER LEDspot LV ExpertColor creates a warm and comfortable ambience for hospitality venues, homes and restaurants. It creates such an ambience with superior lighting that has a customized spectrum, high CRI, and deep dimming feature. The result? A beautiful lighting experience. What's more, the innovative, trimless lens design will suit almost any interior decor with its clean and neat look. In addition, you can take advantage of the full ExpertColor family, which also includes LEDspot MV and LEDspot Par lamps.

Product data

General Information	
Cap-Base	GU5.3
Nominal lifetime	40,000 hour(s)
Switching Cycle	50,000
Lighting Technology	LED

Light Technical	
Color Code	927 [CCT of 2700K]
Beam Angle (Nom)	36 degree(s)
Luminous Flux	450 lm
Luminous Intensity (Nom)	1,350 cd
Color Designation	Warm White (WW)
Correlated Color Temperature (Nom)	2700 K
Luminous Efficacy (rated) (Nom)	67.00 lm/W
Color Consistency	<3
Color rendering index (CRI)	97
LLMF At End Of Nominal Lifetime (Nom)	70 %

Operating and Electrical	
Line Frequency	- Hz
Input Frequency	- Hz
Power Consumption	6.7 W
Lamp Current (Nom)	650 mA
Wattage Equivalent	50 W
Starting Time (Nom)	0.5 s
Warm-up time to 60% light	0.5 s
Power Factor (Fraction)	0.7
Voltage (Nom)	ac electronic 12 V

Temperature	
T-Case Maximum (Nom)	92 °C

Controls and Dimming	
Dimmable	Only with specific dimmers

MASTER LEDspot ExpertColor LV

Mechanical and Housing

Bulb Shape	MR16
Net Weight (Piece)	0.052 kg

Approval and Application

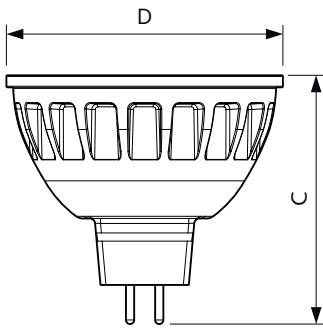
Suitable For Accent Lighting	Yes
EU RoHS compliant	Yes

Product Data

Order product name	MAS LED MR16 ExpertColor 6.7-50W 927 36D
--------------------	------------------------------------------

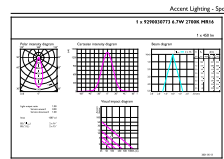
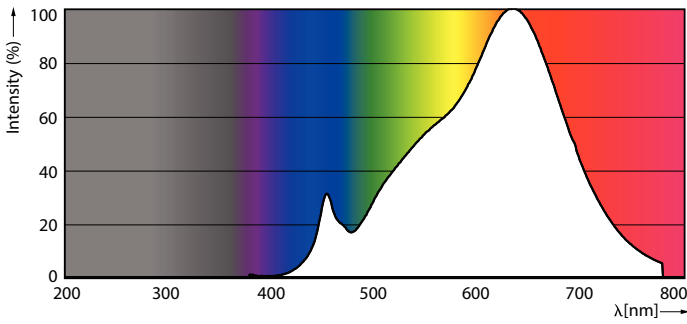
Full product name	MAS LED MR16 ExpertColor 6.7-50W 927 36D
Full product code	692234193708800
Order code	929003077310
Material Nr. (12NC)	929003077310
Numerator - Quantity Per Pack	1
EAN/UPC - Product/Case	6922341937088
Numerator - Packs per outer box	10
EAN/UPC - Case	6922341937095

Dimensional drawing



Product	D	C
MAS LED MR16 ExpertColor 6.7-50W 927 36D	50.5 mm	46 mm

Photometric data

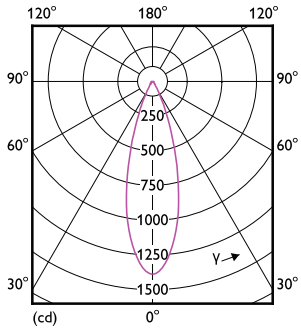


Spectral Power Distribution Colour - MAS LED MR16 ExpertColor 6.7-50W 927 36D

Accent Lighting Spots - MAS LED MR16 ExpertColor 6.7-50W 927 36D

MASTER LEDspot ExpertColor LV

Photometric data

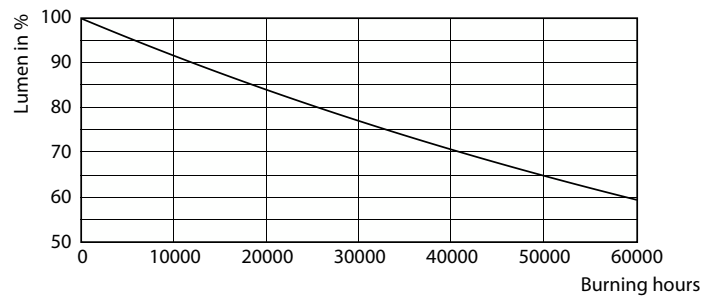


Light Distribution Diagram - MAS LED MR16 ExpertColor 6.7-50W 927 36D

Lifetime



Life Expectancy Diagram



Lumen Maintenance Diagram - MAS LED MR16 ExpertColor 6.7-50W 927 36D

