



MASTER CosmoWhite CPO-TW & CPO-TW Xtra

MST CosmoWh CPO-TW 60W/840 PGZ12 1CT

New-generation ceramic metal halide lamps used in Outdoor offering efficient and pleasant white light

Warnings and Safety

- Use only in totally enclosed luminaire, even during testing (IEC61167, IEC 62035, IEC60598)
- The luminaire must be able to contain hot lamp parts if the lamp ruptures
- Use only with electronic control gear
- Control gear must include end-of-life protection (IEC61167, IEC 62035)
- A lamp breaking is extremely unlikely to have any impact on your health. If a lamp breaks, ventilate the room for 30 minutes and remove the parts, preferably with gloves. Put them in a sealed plastic bag and take it to your local waste facilities for recycling. Do not use a vacuum cleaner.

Product data

General Information		Color rendering index (CRI)	
Cap-Base	PGZ12		83
Operating Position	UNIVERSAL [Any or Universal (U)]	Arc Length O (Nom)	14 mm
Life to 50% Failures (Nom)	22,000 hour(s)	Operating and Electrical	
Light Technical		Power Consumption	60.0 W
Color Code	840 [CCT of 4000K]	Voltage (Nom)	92 V
Luminous Efficacy (rated) (Nom)	117 lm/W	Controls and Dimming	
Color Designation	White (WH)	Dimmable	Yes
Chromaticity Coordinate X (Nom)	382		
Chromaticity Coordinate Y (Nom)	392		

MASTER CosmoWhite CPO-TW & CPO-TW Xtra

Mechanical and Housing

Bulb Finish	Clear
Bulb Shape	T19

Approval and Application

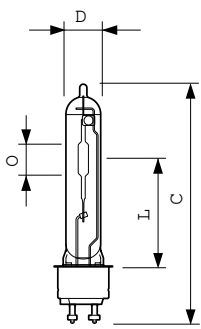
Mercury (Hg) Content (Nom)	1.54 mg
Energy Consumption kWh/1000 h	66 kWh

Product Data

Order product name	MST CosmoWh CPO-TW 60W/840 PGZ12 1CT
--------------------	--------------------------------------

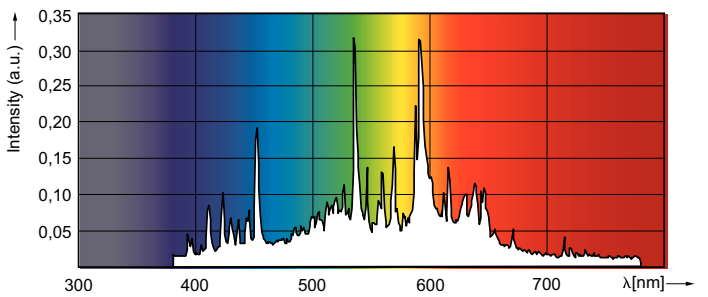
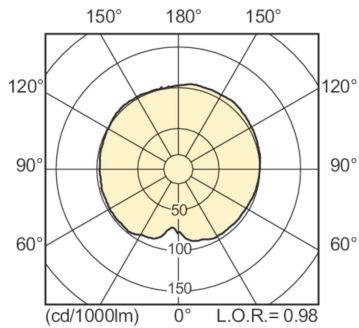
Full product name	MST CosmoWh CPO-TW 60W/840 PGZ12 1CT
Full product code	871829113793100
Order code	928095005127
Material Nr. (12NC)	928095005127
Net Weight (Piece)	0.034 kg
EAN/UPC - Product/Case	8718291137931
Numerator - Packs per outer box	12
EAN/UPC - Case	8718291137948

Dimensional drawing



Product	D (max)	D	O	L	C (max)
MST CosmoWh CPO-TW 60W/840 PGZ12 1CT	20 mm	19 mm	14 mm	59 mm	132 mm

Photometric data

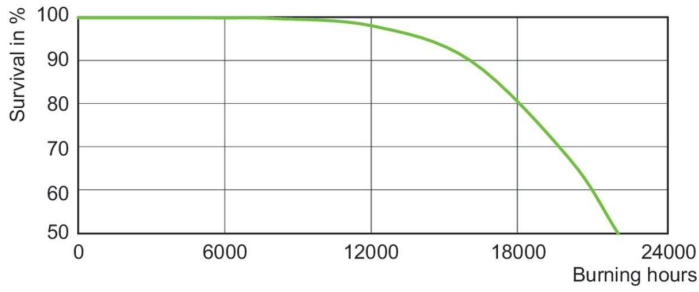


Light Distribution Diagram - MST CosmoWh CPO-TW 60W/840 PGZ12 1CT

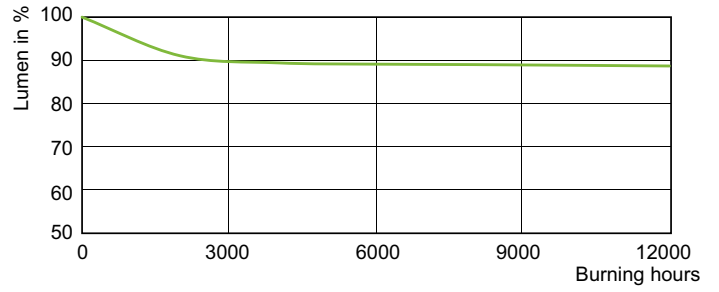
Spectral Power Distribution Colour - MST CosmoWh CPO-TW 60W/840 PGZ12 1CT

MASTER CosmoWhite CPO-TW & CPO-TW Xtra

Lifetime



LDLE_CPO-TW_0002-Life expectancy diagram



Lumen Maintenance Diagram - MST CosmoWh CPO-TW 60W/840 PGZ12 1CT

