



# GreenSpace G6

## DN391B LED13/865 P1PSU D100 WH GMG2

GreenSpace G6, 11.4 W, 1270 lm, 6500 K, White reflector and opal cover, Matte, IP20 | Finger-protected

Philips GreenSpace G6 builds on the GreenSpace family's reputation for superb performance, extremely low energy use, and high visual comfort. This next generation of reliable LED downlights comes in a highly-compact design with a deep, recessed architecture and increased reflector depth to highlight the smallest of details. GreenSpace G6 is also a shining example of versatility. This energy-saving LED downlight is available in a comprehensive range of configurations from 600 to 3,550 lumen, with the option to choose fixed, dimmable, or Interact Ready variants. This makes GreenSpace G6 the perfect 'mix and match' solution for potentially broad and extended applications that require different lighting ambiances, with one cohesive luminaire look and feel.

### Product data

General Information		Beam angle of light source	
Number of gear units	-	Beam angle of light source	- degree(s)
Gear	-	Light source color	865 cool daylight
Driver included	Yes	Optic type	White reflector and opal cover
Light source engine type	LED	Luminaire light beam spread	78°
Warranty period	3 years	Unified glare rating CEN	26
Light Technical		Operating and Electrical	
Luminous Flux	1,270 lm	Input Voltage	220 to 240 V
Correlated Color Temperature (Nom)	6500 K	Line Frequency	50 or 60 Hz
Luminous Efficacy (rated) (Nom)	111 lm/W	Inrush current	14 A
Color rendering index (CRI)	≥80	Inrush time	0.01 ms
Number of light sources	28	Power Consumption	11.4 W
		Power Factor (Fraction)	0.9

## GreenSpace G6

Connection	Flying leads/wires
Cable	2x0.75mm <sup>2</sup> Cable 0.2 m without plug
Number of products on MCB of 16 A type B	204
Suitable for random switching	No
Protection class IEC	Safety class II

### Controls and Dimming

Dimmable	No
Control interface	-
Maximum dim level	Not applicable

### Mechanical and Housing

Housing Material	Aluminum die-cast
Reflector material	Polycarbonate
Optic material	Polycarbonate
Optical cover material	Polycarbonate
Housing Color	Black and white
Mounting device	Frame for recessed mounting
Optical cover finish	Matte
Overall height	68 mm
Overall diameter	120 mm
Ingress protection code	IP20 [Finger-protected]
Mech. impact protection code	IK03 [0.3 J]
Optical cover type	Polycarbonate Diffuser
Net Weight (Piece)	0.250 kg

### Approval and Application

Glow-wire test	Temperature 650 °C, duration 5 s
----------------	----------------------------------

Flammability mark	-
CE mark	Yes
ENEC mark	-
Photobiological risk	Photobiological risk group 1 @200mm to EN62778
EU RoHS compliant	Yes
Performance ambient temperature Tq	25 °C
Ambient temperature range	-20 to +40 °C

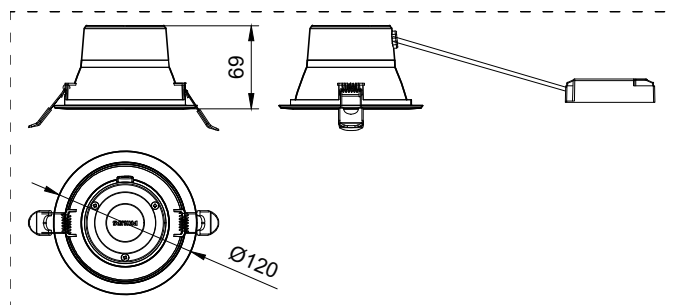
### Initial Performance (IEC Compliant)

Luminous flux tolerance	+/-10%
Initial chromaticity	5
Power consumption tolerance	+/-10%

### Product Data

Order product name	DN391B LED13/865 P11PSU D100 WH GMG2
Full product name	DN391B LED13/865 P11PSU D100 WH GMG2
Full product code	872016972100599
Order code	911401559232
Material Nr. (12NC)	911401559232
Numerator - Quantity Per Pack	1
EAN/UPC - Product/Case	8720169721005
Numerator - Packs per outer box	4
EAN/UPC - Case	8720169721005

### Dimensional drawing



## GreenSpace G6

