



GreenSpace G6

DN391B LED13/840 PSD D100 AL GCG2

GreenSpace G6, 12 W, 1300 lm, 4000 K, DALI, Facetted reflector, Matte, IP20 | Finger-protected

Philips GreenSpace G6 builds on the GreenSpace family's reputation for superb performance, extremely low energy use, and high visual comfort. This next generation of reliable LED downlights comes in a highly-compact design with a deep, recessed architecture and increased reflector depth to highlight the smallest of details. GreenSpace G6 is also a shining example of versatility. This energy-saving LED downlight is available in a comprehensive range of configurations from 600 to 3,550 lumen, with the option to choose fixed, dimmable, or Interact Ready variants. This makes GreenSpace G6 the perfect 'mix and match' solution for potentially broad and extended applications that require different lighting ambiances, with one cohesive luminaire look and feel.

Product data

| General Information | | Beam angle of light source | |
|------------------------------------|----------|-----------------------------|--------------------|
| Number of gear units | - | | - degree(s) |
| Gear | - | Light source color | 840 neutral white |
| Driver included | Yes | Optic type | Facetted reflector |
| Light source engine type | LED | Luminaire light beam spread | 60° |
| Warranty period | 3 years | Unified glare rating CEN | 19 |
| Light Technical | | Operating and Electrical | |
| Luminous Flux | 1,300 lm | Input Voltage | 220 to 240 V |
| Correlated Color Temperature (Nom) | 4000 K | Line Frequency | 50 or 60 Hz |
| Luminous Efficacy (rated) (Nom) | 108 lm/W | Inrush current | 5.5 A |
| Color rendering index (CRI) | ≥80 | Inrush time | 0.055 ms |
| Number of light sources | 28 | Power Consumption | 12 W |
| | | Power Factor (Fraction) | 0.9 |

GreenSpace G6

| | |
|---|----------------------------|
| Connection | 2 Push-in connector 2-pole |
| Cable | - |
| Number of products on MCB of 16 A type B 54 | |
| Suitable for random switching | No |
| Protection class IEC | Safety class II |

Controls and Dimming

| | |
|-------------------|------|
| Dimmable | DALI |
| Control interface | DALI |
| Maximum dim level | 1% |

Mechanical and Housing

| | |
|------------------------------|-----------------------------|
| Housing Material | Aluminum die-cast |
| Reflector material | Polycarbonate |
| Optic material | Polycarbonate |
| Optical cover material | Polycarbonate |
| Housing Color | Black and white |
| Mounting device | Frame for recessed mounting |
| Optical cover finish | Matte |
| Overall height | 68 mm |
| Overall diameter | 120 mm |
| Ingress protection code | IP20 [Finger-protected] |
| Mech. impact protection code | IK03 [0.3 J] |
| Optical cover type | Polycarbonate Diffuser |
| Net Weight (Piece) | 0.450 kg |

Approval and Application

| | |
|----------------|----------------------------------|
| Glow-wire test | Temperature 650 °C, duration 5 s |
|----------------|----------------------------------|

| | |
|------------------------------------|--|
| Flammability mark | - |
| CE mark | Yes |
| ENEC mark | - |
| Photobiological risk | Photobiological risk group 1 @200mm to EN62778 |
| EU RoHS compliant | Yes |
| Performance ambient temperature Tq | 25 °C |
| Ambient temperature range | -20 to +40 °C |

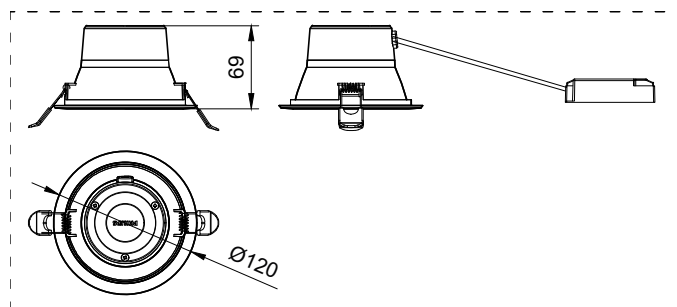
Initial Performance (IEC Compliant)

| | |
|-----------------------------|--------|
| Luminous flux tolerance | +/-10% |
| Initial chromaticity | 5 |
| Power consumption tolerance | +/-10% |

Product Data

| | |
|---------------------------------|-----------------------------------|
| Order product name | DN391B LED13/840 PSD D100 AL GCG2 |
| Full product name | DN391B LED13/840 PSD D100 AL GCG2 |
| Full product code | 872016972062600 |
| Order code | 911401558832 |
| Material Nr. (12NC) | 911401558832 |
| Numerator - Quantity Per Pack | 1 |
| EAN/UPC - Product/Case | 8720169720626 |
| Numerator - Packs per outer box | 1 |
| EAN/UPC - Case | 8720169720626 |

Dimensional drawing



GreenSpace G6

