

PHILIPS

CT kit



Specification Sheet

LLC7891, LLC7893

The CT kit is a pole-mounted box that connects your existing street lights to the CityTouch and Interact City lighting management system.

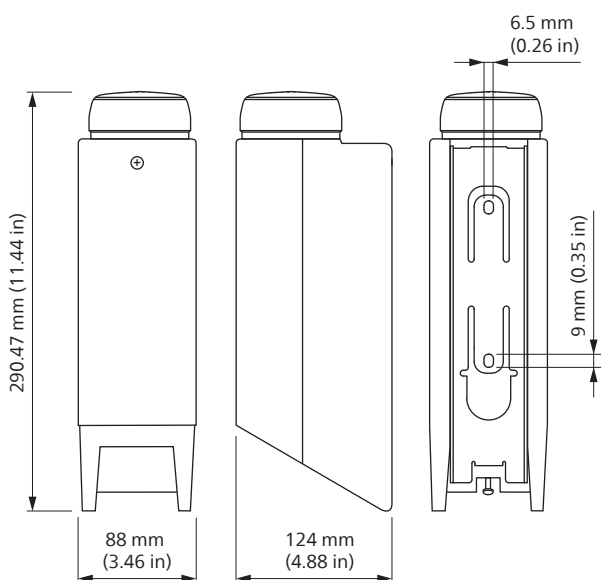
The CT kit uses cellular communication to remotely manage, monitor and control each street light individually.

The CT kit controls the street light by switching the mains supply and provides dimming by means of a digital (DALI) interface.

LLC7891, LLC7893

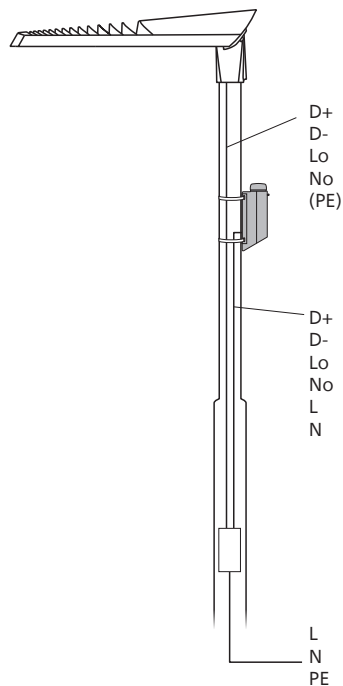
- The kit is mounted to the pole by metal bands or screws, and requires a drilled hole to bring the cable to the bottom of the pole, where it is connected to the luminaire.
- The CT kit provides true plug and play commissioning: it automatically connects to the mobile network, automatically locates itself with the onboard GPS, and automatically uploads its asset data to the lighting management system.
- The CT kit works with LED and HID street lights from almost any manufacturer.
- The CT kit is available in two versions. The mains switched version is meant for switched electricity grids, where a central cabinet turns on and off the light by switching the mains power. The astro clock version is meant for continuous electricity grids, where the light is turned on and off by the kit based on the local sunset and sunrise time.

Dimensional drawings



LLC7891, LLC7893

Wiring diagram



Specifications

Product Dimensions

| | |
|------------------|-------------------|
| Component height | 284 mm (11.18 in) |
| Width | 88 mm (3.46 in) |
| Depth | 124 mm (4.88 in) |
| Weight | 1.20 kg (2.65 lb) |

Color

| | |
|------------------|----------------------|
| LLC7891, LLC7893 | Dark Grey (RAL 7043) |
|------------------|----------------------|

Supply

| | |
|-----------------------------|----------------|
| Supply voltage | 220 to 240 Vac |
| Mains voltage | 220 to 240 Vac |
| Accuracy on mains voltage | ±10% |
| Mains frequency | 50/60 Hz |
| Accuracy on mains frequency | ±5% |
| Rated current | 4 A |

Power Consumption

| | |
|---------------|-------|
| Standby power | ≤ 1 W |
|---------------|-------|

Control interface

| | |
|--------------------------|-----------------------------|
| Control method | ON/OFF, DALI |
| Intra-luminaire DALI bus | IEC62386-101, |
| Insulation | Class I, basic insulation |
| Load capacity | Maximum 3 DALI LED drivers. |

Mounting

Connect cable to CT kit before mounting to pole.
Fix to pole with metal bands or M6 screws.

Cabling

| | |
|------------------|--|
| Cabling diameter | 6 to 12 mm |
| Cable length | 24 m maximum for DALI wires between kit and luminaire |
| Wire diameter | 0.75 to 1.5 mm ² |
| Wire quantity | 7 wires preferred for dimming 5 wires for ON/OFF switching only |

Connectivity

| | |
|------------|---|
| Technology | 2G (GPRS, EDGE) 4G (LTE Cat M1 bands 3, 8 and 20) will be enabled remotely in future |
|------------|---|

Energy metering

| | |
|------------------------|--------------------------------|
| Energy metering device | Inside CT kit |
| Energy meter accuracy | 2% according EN50470-3 Class A |

Auto location

| | |
|----------------------|---------------|
| Positioning device | Inside CT kit |
| Positioning accuracy | CEP50 ≤ 2.5 m |

Astronomical clock control

| | |
|--------------------|---|
| Configurable range | Remote configurable time offset range -120 to 120 minutes, sun elevation angle range -25 to 25° |
| Default settings | Default dusk/dawn angle 0°/0° |

Surge immunity

| | |
|--------------|---|
| Power supply | 6 kV Common Mode acc. IEC61000-4-5. 2 Ω, 1.2/50 μs, 8/20 μs |
| | 5 kV Differential Mode acc. IEC61000-4-5. 2 Ω, 1.2/50 μs, 8/20 μs |

Temperature characteristics

| | |
|-----------------------|---------------------------------|
| Operating temperature | -30 to 60 °C (-22 to 140 °F) |
| Storage temperature | -40 to 80 °C (-40 to 176 °F) |
| Relative humidity | 5 to 95% non-condensing |

Lifetime

90% survivals after 15 years continuous operation (125,000 hours) at Tcase-life

Certificates and Standards

| | |
|-----------------------------------|----------------|
| Approval markings | CE, UKCA, ENEC |
| Ingress protection classification | IP66 |
| Impact resistance classification | IK08 |

Sustainability

| | |
|----------------------|---|
| RoHS directive | 2011/65/EU |
| Hazardous substances | Directive 2011/65/EU, as amended by Directive (EU) 2015/863 of March 2015 |
| Chemical substances | REACH Directive 2006/1907/EC |
| Electronic waste | WEEE Directive 2002/96/EC05 |

Radio Equipment Directive 2014/53/EU

| | |
|-----------------------------|--|
| Safety (lighting equipment) | IEC/EN 61347-1 IEC/EN 61347-2-11 |
| Safety (IT equipment) | IEC/EN 62368-1 |
| EMC (lighting equipment) | EN 55015 EN 61547 |
| EMC (IT equipment) | EN 55032 EN 55024 |
| EMC (telecommunication) | ETSI EN 301 489-1 ETSI EN 301 489-52 |
| EMC (GPS) | ETSI EN 301 489-1 ETSI EN 301 489-19 |
| RF (telecommunication) | ETSI EN 301 511 ETSI EN 301 908-1 ETSI EN 301 908-13 |
| RF (GPS) | EN 303 413 |
| RF exposure | This device meets the EU requirements (2014/53/EU) on the limitation of exposure of the general public to electromagnetic fields by way of health protection. The device complies with RF specifications when the device used is at 321 mm from your body. |



Ordering Data

| Type | Order code |
|----------------------------|----------------|
| LLC7891/00 CT KIT MS EU4VF | 9137 010 56903 |
| LLC7893/00 CT KIT AS EU4VF | 9137 010 57003 |

© 2021 Signify Holding. All rights reserved. Specifications are subject to change without notice. No representation or warranty as to the accuracy or completeness of the information included herein is given and any liability for any action in reliance thereon is disclaimed. Philips and the Philips Shield Emblem are registered trademarks of Koninklijke Philips N.V. All other trademarks are owned by Signify Holding or their respective owners.



www.philips.com/lighting