

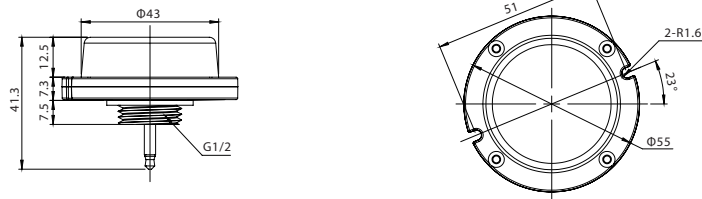
BY240Z Highbay Sensor

Mounting instruction



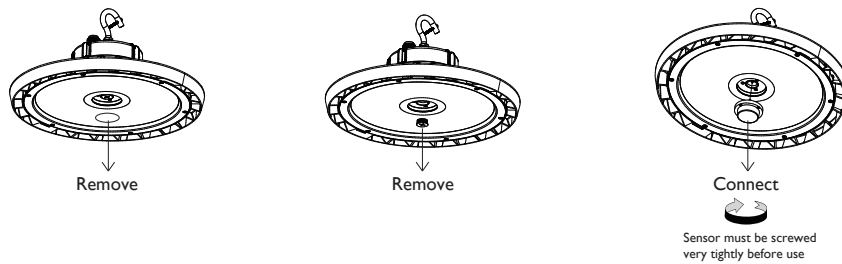
12NC	Description	Power supply	Dim control output	Transmission power	Detection radius	Mounting height	Temperature	IP rating
911401892082	BY240Z Highbay Sensor	12V-24V DC >50mA	0-10V,max 25mA sinking current	< 0.2mW	20%/50%/75%/100%(1-8m)	Max 40ft. (12meters)	-30°C~45°C	IP65

Dimensions



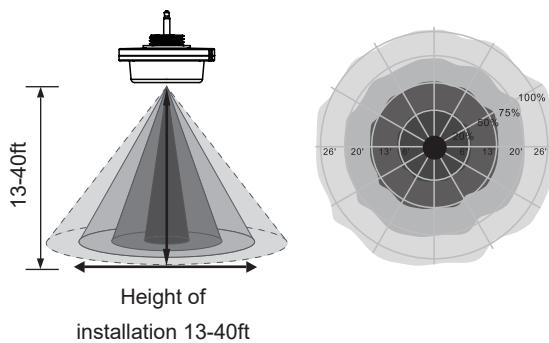
Unit: mm

Installation



Sensor Default Setting

Brightness	100%	Daylight sensor	Disabled
Sensitivity	100%	Stand-by Dim	30%
Hold Time	5min	Stand-by period	60min



Height	Rang Radius			
	Sensitivity 100%	Sensitivity 75%	Sensitivity 50%	Sensitivity 20%
12m	6	4	0	0
10m	7	5	2	0
8m	8	6	4	2

Note: The above data was obtained by the 1.7m tall tester walking at 0.8M/S in an open environment. Different environments, different walking speeds. There will be deviations in the data.

WARNING

- Installation must be carried out by a licenced electrician and in accordance with these instructions and relevant Australian and New Zealand standards and local regulations.
- Ensure input voltage conforms within product specifications.
- Ensure wires are securely connected.
- Before switching on,ensure all wires are correctly connected.
- The warranty is void if product is not installed according to the instructions.
- The installation distance, both transverse and longitudinal, should be greater than 3m. If the installation distance is too close, individual lamps may be misfit.
- Installation location shall be away from WIFI, omnidirectional antennas for mobile communications,small base stations for telecommunications, TV antennas, etc. Signal source too close may disable the dimming function.
- The luminaire should not be installed on vibrating surfaces, otherwise the sensor is easy to be triggered by mistake.
- The dimming function of luminaire might be effected by the objects with vibration in its sensing area.
- The product has good penetration effect on plastic and wood. Avoid metal shielding around the antenna, which will reflect and block microwave and affect the actual induction effect;
- Walls, glass and ceramics will bring reflection and penetration attenuation of electromagnetic waves,and reduce the sensing distance of the sensor. The thicker the material, the more severe the attenuation will be.
- The movement of animals and objects within the sensing range may cause the light to turn on, which is a normal phenomenon.
- The electromagnetic wave emitted by microwave sensor in the practical application environment,the different reflectivity of obstacles will lead to different induction range, which is a normal phenomenon.
- The light sensitivity threshold is in a sunny environment, no shadow and ambient light diffuse reflection..Ambient lux level could be different in different environment, weather, climate, time-of-day and season.
- The parameters of the sensor may need to be reconfigured in different installation environments. Please refer to the following instructions or contact the manufacturer.
- Sensing distance will be affected by the installation height of the sensor, the size of the object to be detected, the speed of movement, the installation environment

Note: Warm up time is 15 seconds. After the sensor connects input power first time,the light will keep on for 15 seconds,then go to dimming to work normally.

Note: Factory Default Setting:100% sensitivity, Dimming level:30%, Dimming time: 60 minutes.

Note: Any setting changed by remote control, the led light that sensor connect will on/off as confirm.