



Other LEDtube

LED 4.5W 500mm S14D WW ND 1CT/4

Philips LEDtube integrates a LED light source into a traditional fluorescent form factor. This product is the ideal solution for uplamping in general lighting applications: it meets basic lighting requirements, offers significant energy savings, and is environmentally friendly.

Product data

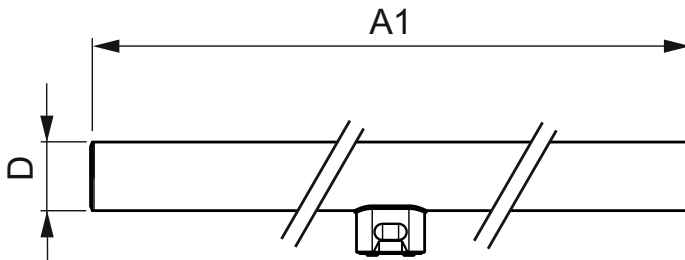
General Information		Voltage (Nom)	
Cap-Base	S14D [S14d]	220-240 V	
EU RoHS compliant	Yes	Temperature	
Nominal Lifetime (Nom)	15000 h	T-Ambient (Max)	45 °C
Switching Cycle	50000X	T-Ambient (Min)	-20 °C
Light Technical		T-Storage (Max)	65 °C
Color Code	827 [CCT of 2700K]	T-Storage (Min)	-40 °C
Beam Angle (Nom)	140 °	T-Case Maximum (Nom)	45 °C
Luminous Flux (Nom)	375 lm	Controls and Dimming	
Color Designation	Warm White (WW)	Dimmable	No
Correlated Color Temperature (Nom)	2700 K	Mechanical and Housing	
Luminous Efficacy (rated) (Nom)	83.33 lm/W	Bulb Finish	Frosted
Color Consistency	<6	Product Length	500 mm
Color Rendering Index (Nom)	83	Bulb Shape	Tube, double-ended
LLMF At End Of Nominal Lifetime (Nom)	70 %	Approval and Application	
Operating and Electrical		Energy Saving Product	Yes
Input Frequency	50 to 60 Hz	Suitable For Accent Lighting	No
Power (Nom)	4.5 W	Approval Marks	CE marking RoHS compliance KEMA Keur certificate
Starting Time (Nom)	0.5 s		
Warm Up Time to 60% Light (Nom)	0.5 s		
Power Factor (Nom)	0.4		

Other LEDtube

Energy Consumption kWh/1000 h	5 kWh
Product Data	
Full product code	871869658607500
Order product name	LED 4.5W 500mm S14D WW ND 1CT/4
EAN/UPC - Product	8718696586075
Order code	929001249401

Numerator - Quantity Per Pack	1
Numerator - Packs per outer box	4
Material Nr. (12NC)	929001249401
Net Weight (Piece)	0.140 kg

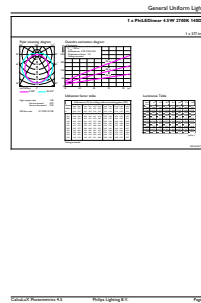
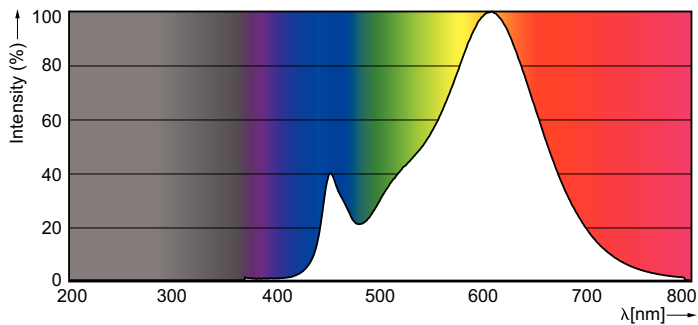
Dimensional drawing



Product	D	A1
LED 4.5W 500mm S14D WW ND 1CT/4	30 mm	466.8 mm

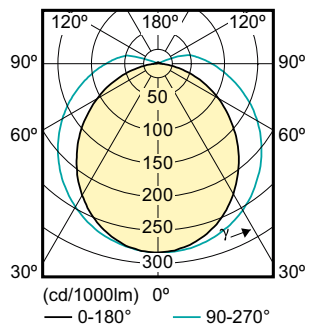
TLED 4.5W-60W 375lm 160D 2700K S14D ND

Photometric data



LEDtube 300mm, 500mm WW

LEDtube 4.5W 500mm WW 375lm



LEDtube 4.5W 500mm WW 375lm

Other LEDtube

