



MASTER LEDspot ExpertColor LV

MAS LED MR16 ExpertColor 7.2-50W 927 36D

MASTER LEDspot LV ExpertColor creates a warm and comfortable ambience for hospitality venues, homes and restaurants. It creates such an ambience with superior lighting that has a customized spectrum, high CRI, and deep dimming feature. The result? A beautiful lighting experience. What's more, the innovative, trimless lens design will suit almost any interior decor with its clean and neat look. In addition, you can take advantage of the full ExpertColor family, which also includes LEDspot MV and LEDspot Par lamps.

Product data

General Information		LLMF At End Of Nominal Lifetime (Nom) 70 %	
Cap-Base	GU5.3 [GU5.3]	Operating and Electrical	
Nominal lifetime	40,000 hour(s)	Line Frequency	- Hz
Switching Cycle	50,000	Input Frequency	- Hz
Lighting Technology	LED	Power Consumption	7.2 W
EU RoHS compliant	Yes	Lamp Current (Nom)	800 mA
Light Technical		Wattage Equivalent	50 W
Color Code	927	Starting Time (Nom)	0.5 s
Beam Angle (Nom)	36 degree(s)	Warm-up time to 60% light	1 s
Luminous Flux	450 lm	Power Factor (Fraction)	0.7
Luminous Intensity (Nom)	1,350 cd	Voltage (Nom)	12 V
Color Designation	Warm White (WW)	Temperature	
Correlated Color Temperature (Nom)	2700 K	T-Case Maximum (Nom)	92 °C
Luminous Efficacy (rated) (Nom)	62.50 lm/W		
Color Consistency	<3		
Color rendering index (CRI)	97		

MASTER LEDspot ExpertColor LV

Controls and Dimming

Dimmable	Yes
----------	-----

Mechanical and Housing

Bulb Shape	MR16 [2inch/50mm]
------------	-------------------

Approval and Application

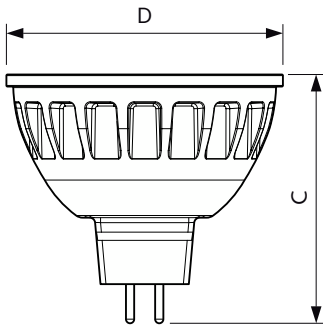
Energy Saving Product	Yes
Suitable For Accent Lighting	Yes
Energy Consumption kWh/1000 h	- kWh

Product Data

Order product name	MAS LED MR16 ExpertColor 7.2-50W 927 36D
--------------------	--

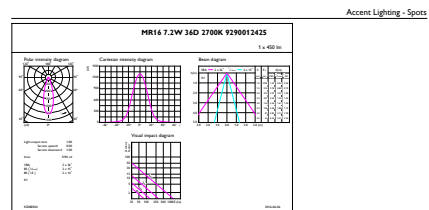
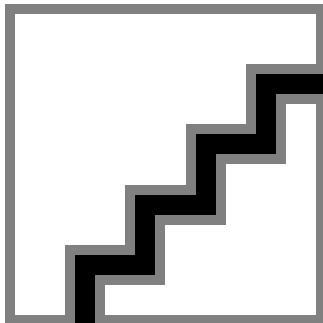
Full product name	MAS LED MR16 ExpertColor 7.2-50W 927 36D
Full product code	694793912159500
Order code	929001242510
Material Nr. (12NC)	929001242510
Numerator - Quantity Per Pack	1
EAN/UPC - Product/Case	6947939121595
Numerator - Packs per outer box	10
EAN/UPC - Case	6947939121601

Dimensional drawing



Product	D	C
MAS LED MR16 ExpertColor 7.2-50W 927 36D	51 mm	46 mm

Photometric data



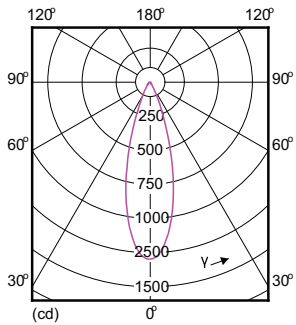
CalcX Photometrics 4.5 | Philips Lighting B.V. | Page 1/1

Spectral Power Distribution Colour - MAS LED MR16 ExpertColor 7.2-50W 927 36D

General uniform lighting - MAS LED MR16 ExpertColor 7.2-50W 927 36D

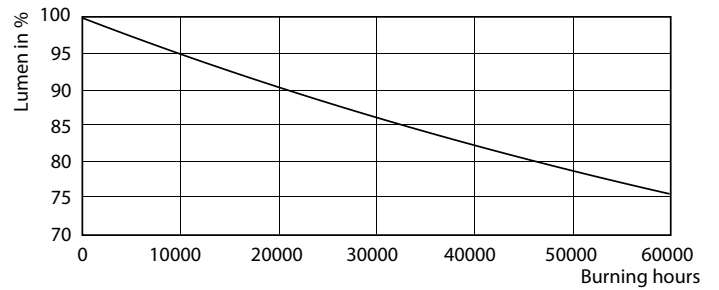
MASTER LEDspot ExpertColor LV

Photometric data



Light Distribution Diagram - MAS LED MR16 ExpertColor 7.2-50W 927 36D

Lifetime



Life Expectancy Diagram - MAS LED MR16 ExpertColor 7.2-50W 927 36D

Lumen Maintenance Diagram - MAS LED MR16 ExpertColor 7.2-50W 927 36D

