



MASTER LEDspot ExpertColor LV

MASTER LED MR16 ExpertColor 7.2-50W 927 24D

MASTER LEDspot LV ExpertColor creates a warm and comfortable ambience for hospitality venues, homes and restaurants. It creates such an ambience with superior lighting that has a customized spectrum, high CRI, and deep dimming feature. The result? A beautiful lighting experience. What's more, the innovative, trimless lens design will suit almost any interior decor with its clean and neat look. In addition, you can take advantage of the full ExpertColor family, which also includes LEDspot MV and LEDspot Par lamps.

Product data

General Information	
Cap-Base	GU5.3 [GU5.3]
EU RoHS compliant	Yes
Nominal Lifetime (Nom)	40000 h
Switching Cycle	50000X
Technical Type	7.2-50W
Light Technical	
Color Code	927
Beam Angle (Nom)	24 °
Luminous Flux (Nom)	450 lm
Luminous Intensity (Nom)	2200 cd
Color Designation	Warm White (WW)
Correlated Color Temperature (Nom)	2700 K
Luminous Efficacy (rated) (Nom)	62.50 lm/W
Color Consistency	<3
Color Rendering Index (Nom)	97

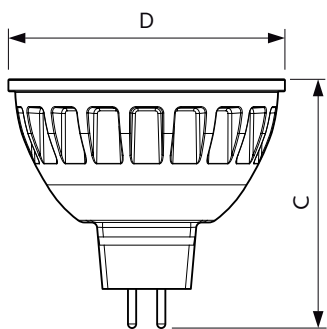
LLMF At End Of Nominal Lifetime (Nom) 70 %	
Operating and Electrical	
Input Frequency	- Hz
Power (Nom)	7.2 W
Lamp Current (Nom)	800 mA
Wattage Equivalent	50 W
Starting Time (Nom)	0.5 s
Warm Up Time to 60% Light (Nom)	1 s
Power Factor (Nom)	0.7
Voltage (Nom)	12 V
Temperature	
T-Case Maximum (Nom)	92 °C
Controls and Dimming	
Dimmable	Yes

MASTER LEDspot ExpertColor LV

Mechanical and Housing	
Bulb Shape	MR16 [2inch/50mm]
Approval and Application	
Energy Saving Product	Yes
Suitable For Accent Lighting	Yes
Energy Consumption kWh/1000 h	- kWh
Product Data	
Full product code	694793912153300

Order product name	MASTER LED MR16 ExpertColor 7.2-50W 927 24D
EAN/UPC - Product	6947939121533
Order code	929001242210
Numerator - Quantity Per Pack	1
Numerator - Packs per outer box	10
Material Nr. (12NC)	929001242210
Net Weight (Piece)	0.034 kg

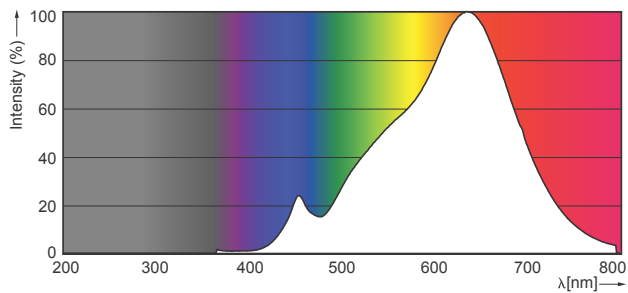
Dimensional drawing



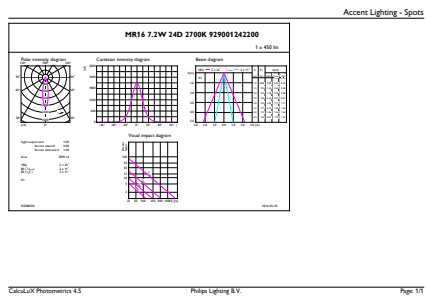
MR16 12V 7.2-50W 420lm 24D 2700K GU5.3 D

Product	D	C
MASTER LED MR16 ExpertColor 7.2-50W 927 24D	51 mm	46 mm

Photometric data



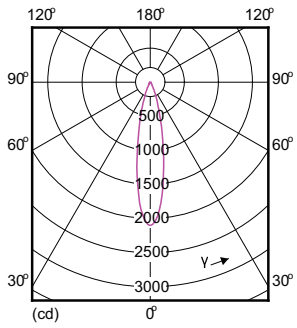
MAS LED ExpertColor 7.2-50W MR16 GU5.3 927



MAS LED ExpertColor 7.2-50W MR16 GU5.3 927 24D

MASTER LEDspot ExpertColor LV

Photometric data



MAS LED ExpertColor 7.2-50W MR16 GU5.3 927 24D

