



MASTER LEDspot ExpertColor LV

MASTER LED MR16 ExpertColor 7.2-50W 927 10D

MASTER LEDspot LV ExpertColor creates a warm and comfortable ambience for hospitality venues, homes and restaurants. It creates such an ambience with superior lighting that has a customized spectrum, high CRI, and deep dimming feature. The result? A beautiful lighting experience. What's more, the innovative, trimless lens design will suit almost any interior decor with its clean and neat look. In addition, you can take advantage of the full ExpertColor family, which also includes LEDspot MV and LEDspot Par lamps.

Product data

General Information		LLMF At End Of Nominal Lifetime (Nom) 70 %	
Cap-Base	GU5.3 [GU5.3]		
EU RoHS compliant	Yes	Operating and Electrical	
Nominal Lifetime (Nom)	40000 h	Input Frequency	- Hz
Switching Cycle	50000X	Power (Nom)	7.2 W
Technical Type	7.2-50W	Lamp Current (Nom)	800 mA
Light Technical		Wattage Equivalent	50 W
Color Code	927	Starting Time (Nom)	0.5 s
Beam Angle (Nom)	10 °	Warm Up Time to 60% Light (Nom)	1 s
Luminous Flux (Nom)	450 lm	Power Factor (Nom)	0.7
Luminous Intensity (Nom)	4500 cd	Voltage (Nom)	12 V
Color Designation	Warm White (WW)	Temperature	
Correlated Color Temperature (Nom)	2700 K	T-Case Maximum (Nom)	92 °C
Luminous Efficacy (rated) (Nom)	62.50 lm/W	Controls and Dimming	
Color Consistency	<3	Dimmable	Yes
Color Rendering Index (Nom)	97		

MASTER LEDspot ExpertColor LV

Approval and Application

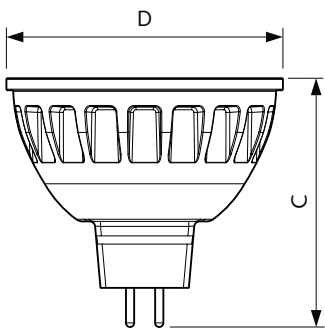
Energy Efficiency Label (EEL)	Not applicable
Energy Saving Product	Yes
Suitable For Accent Lighting	Yes
Energy Consumption kWh/1000 h	- kWh

Product Data

Full product code	871869657161300
Order product name	MASTER LED MR16 ExpertColor 7.2-50W 927 10D

EAN/UPC - Product	8718696571613
Order code	929001241908
Numerator - Quantity Per Pack	1
Numerator - Packs per outer box	10
Material Nr. (12NC)	929001241908
Net Weight (Piece)	0.034 kg

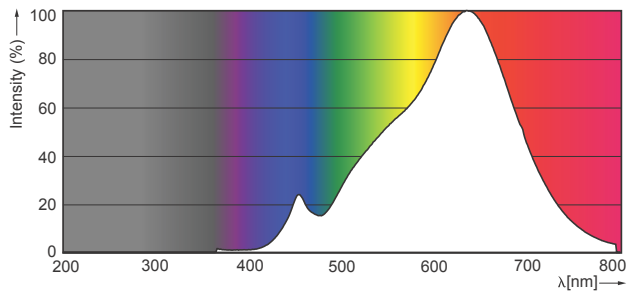
Dimensional drawing



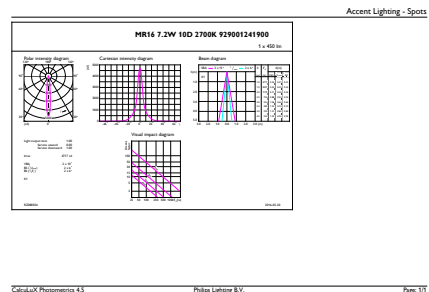
MR16 12V 7.2-50W 420lm 10D 2700K GU5.3 D

Product	D	C
MASTER LED MR16 ExpertColor 7.2-50W 927 10D	51 mm	46 mm

Photometric data



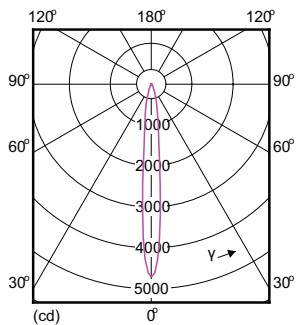
MAS LED ExpertColor 7.2-50W MR16 GU5.3 927



MAS LED ExpertColor 7.2-50W MR16 GU5.3 927 10D

MASTER LEDspot ExpertColor LV

Photometric data



MAS LED ExpertColor 7.2-50W MR16 GU5.3 927 10D

