



# A-Shape LED

## 5.5A19/LED/827/ND 120V 2PK/4

Philips A-shape Dimmable LED lamps are the smart LED alternative to standard incandescents. The unique lamp design provides omi-directional light with excellent dimming performance.

### Product data

General Information	
Cap-Base	E26 [ Single Contact Medium Screw]
EU RoHS compliant	Yes
Nominal Lifetime (Nom)	10950 h
Switching Cycle	50000X
Technical Type	5.5-40W

Light Technical	
Color Code	827 [ CCT of 2700K]
Luminous Flux (Nom)	450 lm
Color Designation	Warm White (WW)
Correlated Color Temperature (Nom)	2700 K
Luminous Efficacy (rated) (Nom)	82 lm/W
Color Consistency	ANSI
Color Rendering Index (Nom)	80
LLMF At End Of Nominal Lifetime (Nom)	70 %

Operating and Electrical	
Input Frequency	60 Hz
Power (Nom)	5.5 W
Lamp Current (Nom)	90 mA
Starting Time (Nom)	0.5 s
Warm Up Time to 60% Light (Nom)	0.5 s
Power Factor (Nom)	0.5

Voltage (Nom)	
Voltage (Nom)	120 V

Temperature	
T-Case Maximum (Nom)	100 °C

Controls and Dimming	
Dimmable	No

Mechanical and Housing	
Bulb Finish	Frosted
Bulb Shape	A19 (A19)

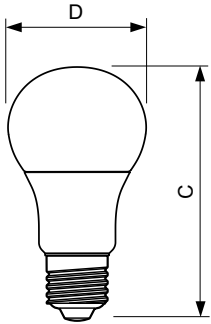
Approval and Application	
Suitable For Accent Lighting	No
Energy Consumption kWh/1000 h	- kWh

Product Data	
Order product name	5.5A19/LED/827/ND 120V 2PK/4
EAN/UPC - Product	50046677462173
Order code	929001203634
Numerator - Quantity Per Pack	1
Numerator - Packs per outer box	4
Material Nr. (12NC)	929001203634
Net Weight (Piece)	0.052 kg

# A-Shape LED

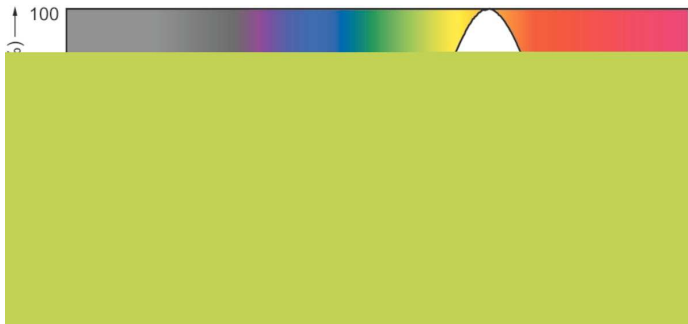
## Dimensional drawing



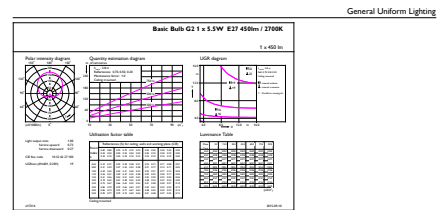
Basic Bulb 5.5W-40W 450lm 2700K E26 ND

Product	D	C
5.5A19/LED/827/ND 120V 2PK/4	61 mm	107 mm

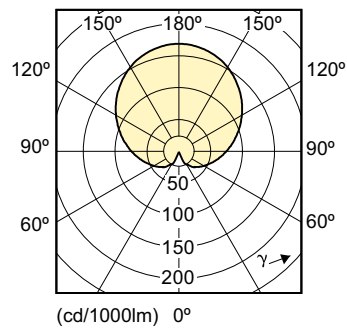
## Photometric data



LEDbulb, Bulb A19 9.5W, 14.5W 2700K



LEDlamps, A19 5.5W-40W 2700K 450lm



LEDlamps, A19 5.5W-40W 2700K 450lm

