



CorePro LED PLC 2P



CorePro LED PLC 6.5W 830 2P G24d-2

CorePro LED PLC 2P integrates a LED light source into a traditional fluorescent form factor. This product is the ideal solution for uplampping in general lighting applications: it meets basic lighting requirements, offers significant energy savings, and is environmentally friendly.

Product data

General information	
Cap-Base	G24D-2 [G24d-2]
CE mark	Yes
EU RoHS compliant	Yes
Nominal Lifetime (Nom)	30000 h
Switching Cycle	50000
Flux measurement reference	Sphere
Tier	CorePro
Light technical	
Color Code	830 [CCT of 3000K]
Beam Angle (Nom)	120 °
Luminous Flux (Nom)	650 lm
Color Designation	White (WH)
Correlated Color Temperature (Nom)	3000 K
Luminous Efficacy (rated) (Nom)	92.31 lm/W
Color Consistency	<6
Color Rendering Index (Nom)	83
LLMF At End Of Nominal Lifetime (Nom)	70 %
Operating and electrical	
Input Frequency	50 to 60 Hz
Power (Nom)	6.5 W

Lamp Current (Max)	35 mA
Lamp Current (Min)	25 mA
Starting Time (Nom)	0.5 s
Warm Up Time to 60% Light (Nom)	0.5 s
Power Factor (Nom)	0.9
Voltage (Nom)	220-240 V

Temperature	
T-Ambient (Max)	35 °C
T-Ambient (Min)	-20 °C
T-Storage (Max)	65 °C
T-Storage (Min)	-40 °C
T-Case Maximum (Nom)	65 °C

Controls and dimming	
Dimmable	No

Mechanical and housing	
Bulb Material	Plastic
Product Length	100 mm
Bulb Shape	Tube, single-ended

CorePro LED PLC 2P

Approval and application

Energy Efficiency Class	F
Energy Saving Product	Yes
Approval Marks	TUV CE marking RoHS compliance KEMA Keur certificate
Energy Consumption kWh/1000 h	7 kWh
EPREL Registration Number	403556

Product data

Full product code	871869654127200
-------------------	-----------------

Order product name	CorePro LED PLC 6.5W 830 2P G24d-2
EAN/UPC - Product	8718696541272
Order code	929001201402
Numerator - Quantity Per Pack	1
Numerator - Packs per outer box	10
Material Nr. (12NC)	929001201402
Net Weight (Piece)	0.077 kg

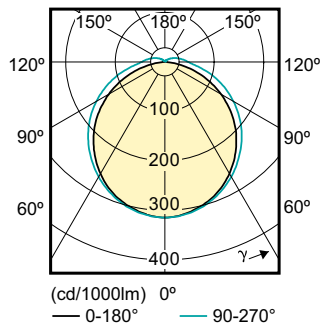
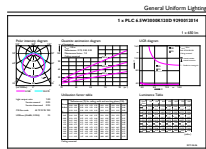
Dimensional drawing



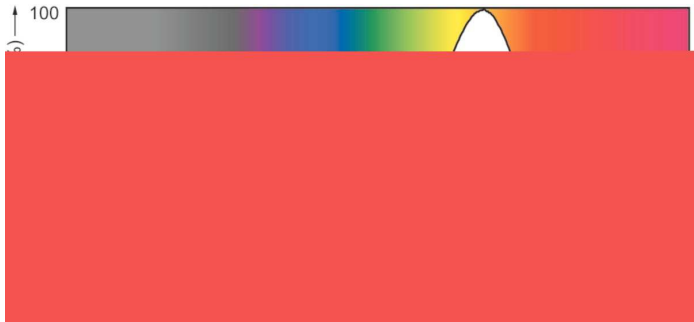
Product	D1	D2	A1	A2	A3
CorePro LED PLC 6.5W 830 2P G24d-2	24.3 mm	28.4 mm	105.8 mm	125 mm	147.6 mm

CorePro LED PLC 6.5W 830 2P G24d-2

Photometric data



LEDtube PLC 100mm 7W G24D-2 830 650lm



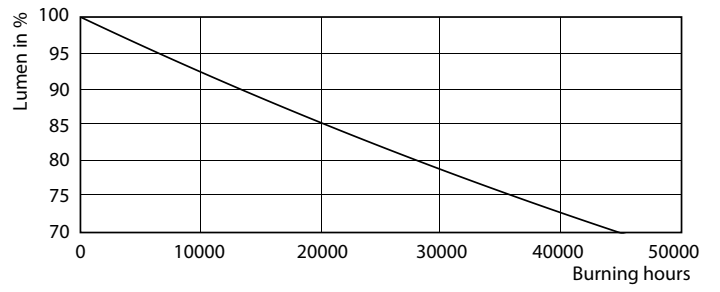
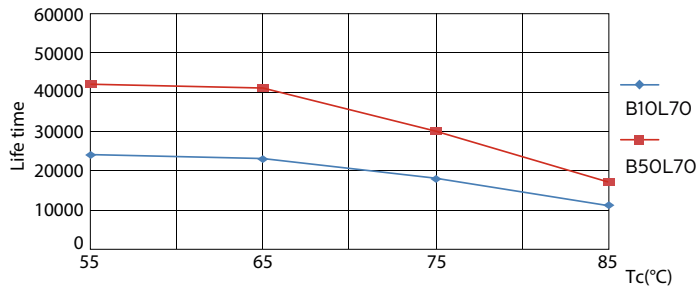
CorePro LED PLC 2P

Lifetime



LEDtube PLC 100mm 7W G24D-2 830 650lm

LEDtube PLC 100mm 7W G24D-2 830 650lm



LEDtube PLC 100mm 7W G24D-2 830 650lm

LEDtube PLC 100mm 7W G24D-2 830 650lm



LEDtube PLC 100mm 7W G24D-2 830 650lm

CorePro LED PLC 2P

