



MASTER LEDtube EM/ Mains T8

Master LEDTube 600 mm 10W 865 T8 I W

The Philips MASTER LEDtube integrates a LED light source into a traditional fluorescent form factor. Its unique design creates a perfectly uniform visual appearance which cannot be distinguished from traditional fluorescent. For those that are looking for value for money within limited budget and re-lamping efforts for better light effect and lifetime.

Warnings and Safety

- NOTES: The overall energy efficiency and light distribution of any installation that uses these lamps are determined by the design of the installation.

Product data

General Information		LLMF At End Of Nominal Lifetime (Nom) 70 %	
Cap-Base	G13 [Medium Bi-Pin Fluorescent]	Operating and Electrical	
EU RoHS compliant	Yes	Input Frequency	50 to 60 Hz
Nominal Lifetime (Nom)	25000 h	Power (Nom)	10 W
Switching Cycle	50000X	Lamp Current (Max)	115 mA
Light Technical		Lamp Current (Min)	40 mA
Color Code	865 [CCT of 6500K]	Starting Time (Nom)	0.5 s
Beam Angle (Nom)	160 °	Warm Up Time to 60% Light (Nom)	instant full light s
Luminous Flux (Nom)	1050 lm	Power Factor (Nom)	0.92
Color Designation	Cool Daylight	Voltage (Nom)	100-240 V
Correlated Color Temperature (Nom)	6500 K	Temperature	
Luminous Efficacy (rated) (Nom)	105.00 lm/W	T-Ambient (Max)	45 °C
Color Consistency	<6	T-Ambient (Min)	-20 °C
Color Rendering Index (Nom)	82	T-Storage (Max)	65 °C

MASTER LEDtube EM/Mains T8

T-Storage (Min)	-40 °C
T-Case Maximum (Nom)	70 °C

Controls and Dimming

Dimmable	No
----------	----

Mechanical and Housing

Product Length	600 mm
Bulb Shape	Tube, double-ended

Approval and Application

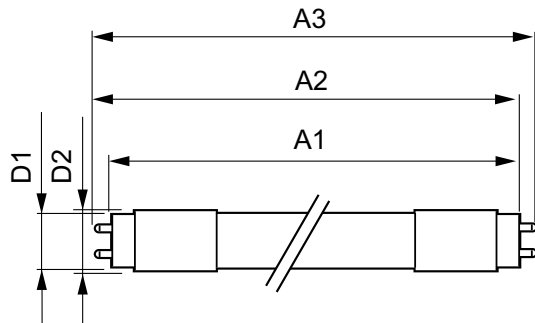
Energy Saving Product	Yes
Suitable For Accent Lighting	No
Approval Marks	CE marking RoHS compliance KEMA Keur certificate

Energy Consumption kWh/1000 h	10 kWh
-------------------------------	--------

Product Data

Full product code	871869652410700
Order product name	Master LEDTube 600 mm 10W 865 T8 I W
EAN/UPC - Product	8718696524107
Order code	929001188072
Numerator - Quantity Per Pack	1
Numerator - Packs per outer box	10
Material Nr. (12NC)	929001188072
Net Weight (Piece)	0.130 kg

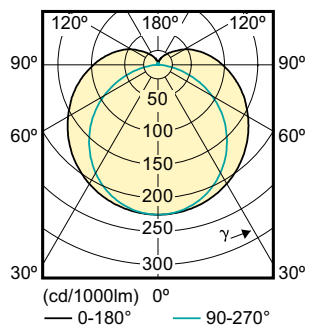
Dimensional drawing



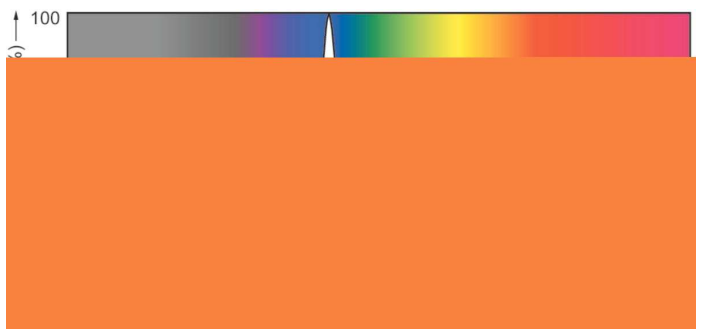
LEDtube 600mm 10W/865 T8 I W

Product	D1	D2	A1	A2	A3
Master LEDTube 600 mm 10W 865 T8 I W	25.6 mm	27.8 mm	588.6 mm	595.7 mm	602.8 mm

Photometric data



SDLD_MLEDGA_0053-Light distribution diagram



SDPO_MLEDGA_0071-Spectral Power distribution

MASTER LEDtube EM/Mains T8

