



MASTER LEDtube EM/ Mains T8

Master LEDTube 600 mm 10W 840 T8 I W

The Philips MASTER LEDtube integrates a LED light source into a traditional fluorescent form factor. Its unique design creates a perfectly uniform visual appearance which cannot be distinguished from traditional fluorescent. For those that are looking for value for money within limited budget and re-lamping efforts for better light effect and lifetime.

Warnings and Safety

- NOTES: The overall energy efficiency and light distribution of any installation that uses these lamps are determined by the design of the installation.

Product data

| General Information | | LLMF At End Of Nominal Lifetime (Nom) 70 % | |
|------------------------------------|----------------------------------|--|----------------------|
| Cap-Base | G13 [Medium Bi-Pin Fluorescent] | Operating and Electrical | |
| EU RoHS compliant | Yes | Input Frequency | 50 to 60 Hz |
| Nominal Lifetime (Nom) | 25000 h | Power (Nom) | 10 W |
| Switching Cycle | 50000X | Lamp Current (Max) | 115 mA |
| Light Technical | | Lamp Current (Min) | 40 mA |
| Color Code | 840 [CCT of 4000K] | Starting Time (Nom) | 0.5 s |
| Beam Angle (Nom) | 160 ° | Warm Up Time to 60% Light (Nom) | instant full light s |
| Luminous Flux (Nom) | 1050 lm | Power Factor (Nom) | 0.92 |
| Color Designation | Cool White (CW) | Voltage (Nom) | 100-240 V |
| Correlated Color Temperature (Nom) | 4000 K | Temperature | |
| Luminous Efficacy (rated) (Nom) | 105.00 lm/W | T-Ambient (Max) | 45 °C |
| Color Consistency | <6 | T-Ambient (Min) | -20 °C |
| Color Rendering Index (Nom) | 82 | T-Storage (Max) | 65 °C |

MASTER LEDtube EM/Mains T8

| | |
|----------------------|--------|
| T-Storage (Min) | -40 °C |
| T-Case Maximum (Nom) | 70 °C |

Controls and Dimming

| | |
|----------|----|
| Dimmable | No |
|----------|----|

Mechanical and Housing

| | |
|----------------|--------------------|
| Product Length | 600 mm |
| Bulb Shape | Tube, double-ended |

Approval and Application

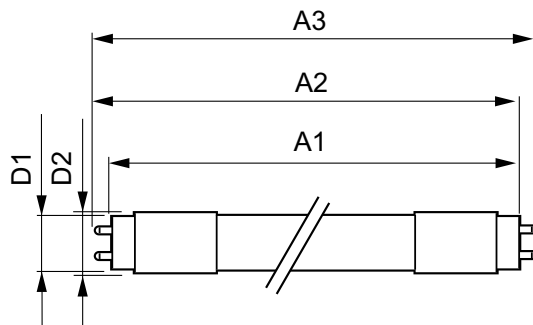
| | |
|------------------------------|--|
| Energy Saving Product | Yes |
| Suitable For Accent Lighting | No |
| Approval Marks | CE marking RoHS compliance KEMA Keur certificate |

| | |
|-------------------------------|--------|
| Energy Consumption kWh/1000 h | 10 kWh |
|-------------------------------|--------|

Product Data

| | |
|---------------------------------|--------------------------------------|
| Full product code | 871869652408400 |
| Order product name | Master LEDTube 600 mm 10W 840 T8 I W |
| EAN/UPC - Product | 8718696524084 |
| Order code | 929001187972 |
| Numerator - Quantity Per Pack | 1 |
| Numerator - Packs per outer box | 10 |
| Material Nr. (12NC) | 929001187972 |
| Net Weight (Piece) | 0.130 kg |

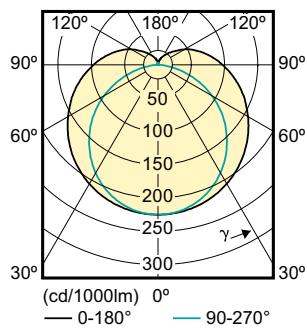
Dimensional drawing



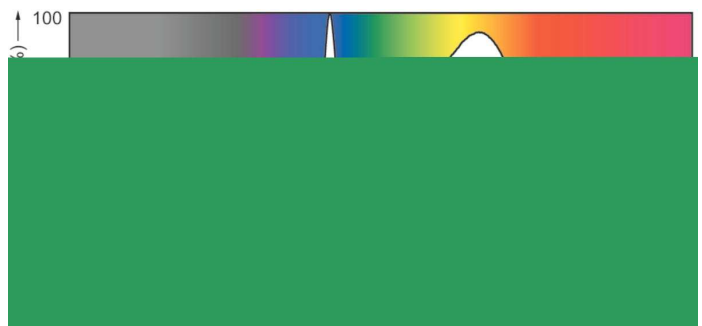
LEDtube 600mm 10W/840 T8 I W

| Product | D1 | D2 | A1 | A2 | A3 |
|---|---------|---------|----------|----------|----------|
| Master LEDTube 600 mm 10W 840 T8 I W | 25.6 mm | 27.8 mm | 588.6 mm | 595.7 mm | 602.8 mm |

Photometric data



SDLD_MLEDGA_0053-Light distribution diagram



SDPO_MLEDGA_0070-Spectral Power distribution

MASTER LEDtube EM/Mains T8

