



MASTER LEDspot LV AR111

MAS LEDspotLV D 20-100W 830 AR111 12D

With its new perfect-fit design, the Master LEDspot LV AR111 now works with most of G53 luminaires as a true retrofit solution. The lamp creates a brilliant visual effect for retail and hospitality applications such as shops, showrooms and galleries. The high quality light brings out the true colors in merchandise and emphasizes its beauty. It also lasts long, with a strong lumen and color maintenance. The beautifully designed lamp offers a well-defined beam with a multitude of beam angles to suit various applications. Not only does it employ the Philips patented solution to ensure it is compatible with a broad selection of standard 12V halogen electronic transformers, it also delivers high beam intensity which equivalent to halogen AR111 spots of 50W, 75W or 100W.

Product data

General Information		Color Consistency	
Cap-Base	G53 [G53]	Color Rendering Index (Nom)	80
EU RoHS compliant	Yes	LLMF At End Of Nominal Lifetime (Nom)	70 %
Nominal Lifetime (Nom)	25000 h	Operating and Electrical	
Switching Cycle	50000X	Input Frequency	- Hz
Technical Type	20-100W	Power (Nom)	20 W
Light Technical		Lamp Current (Nom)	2400 mA
Color Code	830 [CCT of 3000K]	Wattage Equivalent	100 W
Beam Angle (Nom)	12 °	Starting Time (Nom)	0.5 s
Luminous Flux (Nom)	1350 lm	Warm Up Time to 60% Light (Nom)	instant full light
Luminous Intensity (Nom)	10000 cd	Power Factor (Nom)	0.7
Color Designation	White (WH)	Voltage (Nom)	12 V
Correlated Color Temperature (Nom)	3000 K		
Luminous Efficacy (rated) (Nom)	67.50 lm/W		

MASTER LEDspot LV AR111

Temperature

T-Case Maximum (Nom)	80 °C
----------------------	-------

Controls and Dimming

Dimmable	Yes
----------	-----

Mechanical and Housing

Bulb Shape	AR111
------------	-------

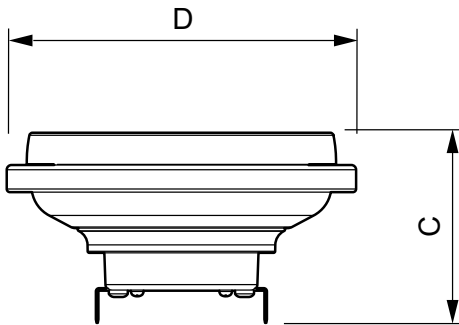
Approval and Application

Suitable For Accent Lighting	Yes
Energy Consumption kWh/1000 h	22 kWh

Product Data

Full product code	871869651524200
Order product name	MAS LEDspotLV D 20-100W 830 AR111 12D
EAN/UPC - Product	8718696515242
Order code	929001170608
Numerator - Quantity Per Pack	1
Numerator - Packs per outer box	6
Material Nr. (12NC)	929001170608
Net Weight (Piece)	0.360 kg

Dimensional drawing

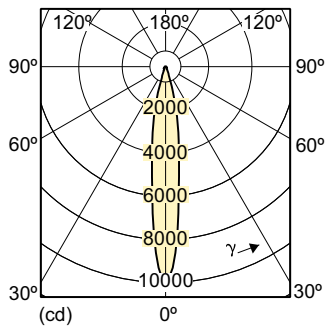


LED D 20-100W 830 AR111 12D

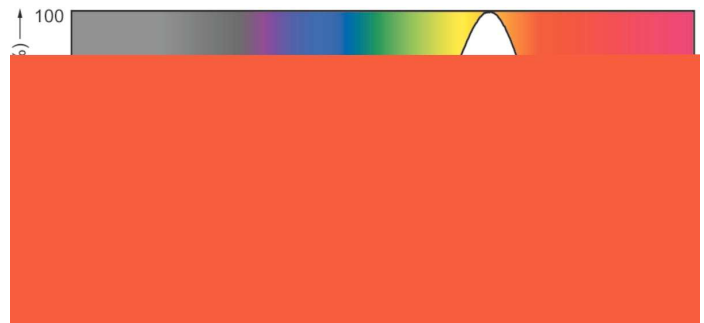
Product

MAS LEDspotLV D 20-100W 830 AR111 12D

Photometric data



SDLD_LEDspotL_0143-Light distribution diagram



SDPO_LEDspotL_0023-Spectral Power distribution

MASTER LEDspot LV AR111

