



MASTER LEDspot LV AR111

MAS LEDspotLV D 11-50W 927 AR111 40D

With its new perfect-fit design, the Master LEDspot LV AR111 now works with most of G53 luminaires as a true retrofit solution. The lamp creates a brilliant visual effect for retail and hospitality applications such as shops, showrooms and galleries. The high quality light brings out the true colors in merchandise and emphasizes its beauty. It also lasts long, with a strong lumen and color maintenance. The beautifully designed lamp offers a well-defined beam with a multitude of beam angles to suit various applications. Not only does it employ the Philips patented solution to ensure it is compatible with a broad selection of standard 12V halogen electronic transformers, it also delivers high beam intensity which equivalent to halogen AR111 spots of 50W, 75W or 100W.

Product data

General Information	
Cap-Base	G53 [G53]
EU RoHS compliant	Yes
Nominal Lifetime (Nom)	40000 h
Switching Cycle	50000X
Technical Type	11-50W
Light Technical	
Color Code	927
Beam Angle (Nom)	40 °
Luminous Flux (Nom)	550 lm
Luminous Intensity (Nom)	1100 cd
Color Designation	Warm White (WW)
Correlated Color Temperature (Nom)	2700 K
Luminous Efficacy (rated) (Nom)	50.00 lm/W

Color Consistency	<3
Color Rendering Index (Nom)	90
LLMF At End Of Nominal Lifetime (Nom)	70 %
Luminous Flux in 90° Cone (Rated)	550 lm
Operating and Electrical	
Input Frequency	- Hz
Power (Nom)	11 W
Lamp Current (Nom)	1300 mA
Wattage Equivalent	50 W
Starting Time (Nom)	0.5 s
Warm Up Time to 60% Light (Nom)	0.5 s
Power Factor (Nom)	0.7
Voltage (Nom)	12 V

MASTER LEDspot LV AR111

Temperature

T-Case Maximum (Nom) 70 °C

Controls and Dimming

Dimmable Yes

Mechanical and Housing

Bulb Shape AR111

Approval and Application

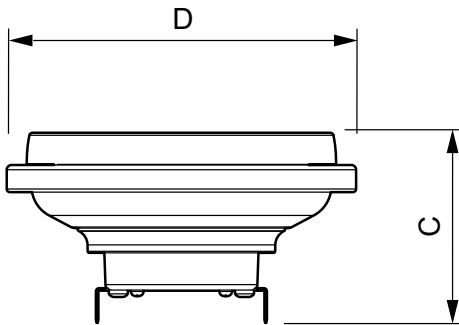
Suitable For Accent Lighting Yes

Energy Consumption kWh/1000 h 13 kWh

Product Data

Full product code	871869651492400
Order product name	MAS LEDspotLV D 11-50W 927 AR111 40D
EAN/UPC - Product	8718696514924
Order code	929001170002
Numerator - Quantity Per Pack	1
Numerator - Packs per outer box	6
Material Nr. (12NC)	929001170002
Net Weight (Piece)	0.160 kg

Dimensional drawing

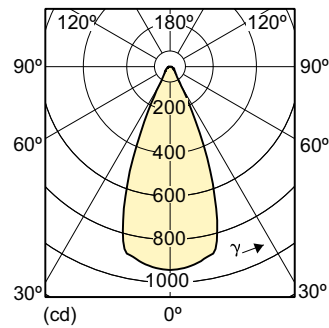
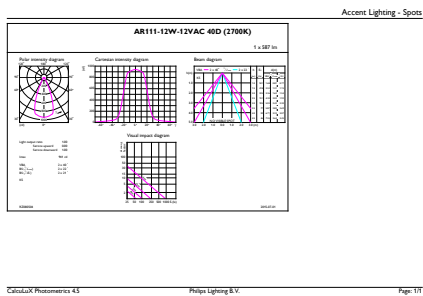


LED D 11-50W 927 AR111 40D

Product

MAS LEDspotLV D 11-50W 927 AR111 40D

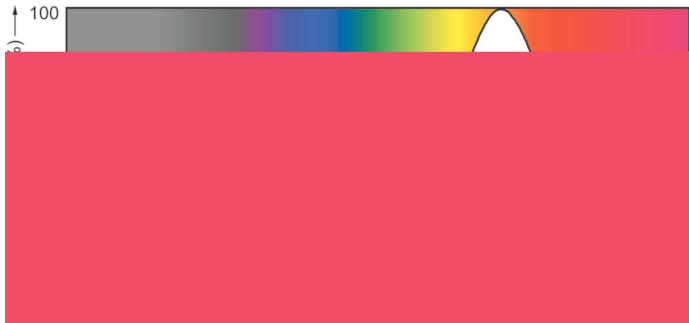
Photometric data



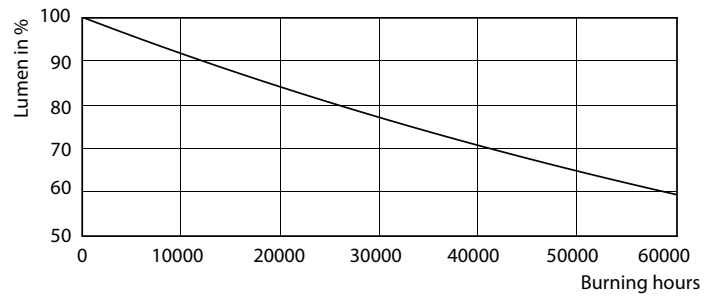
MASTER LEDspot LV AR111 50W G53 927 40D

MASTER LEDspot LV AR111

Photometric data



Lifetime



MASTER LEDspotLV AR111 75W G53 940 40D

MASTER LEDspotLV AR111 75W G53 940 40D

