



# Aluline 111

## Alu111 50W 4000h G53 12V 24D 1CT/6

Low-voltage halogen burner in decorative aluminum reflector equipped with antiglare cap. Ideal solution for high-end modern luminaires, putting your objects in the spotlight. Aluminum coating prevents heat in the backlight.

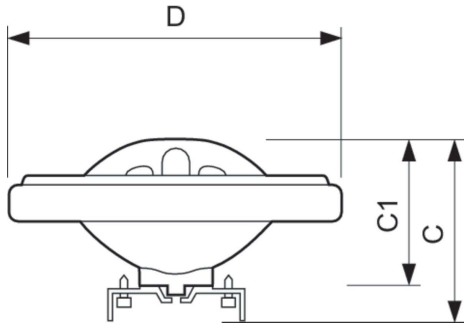
### Product data

General Information	
Cap-Base	G53
Operating Position	UNIVERSAL [Any or Universal (U)]
Nominal lifetime	4,000 hour(s)
Rated Lifetime (Hours)	4,000 hour(s)
Lighting Technology	Halogen
Light Technical	
Beam Angle (Nom)	24 degree(s)
Luminous Flux	507 lm
Correlated Color Temperature (Nom)	2800 K
Color rendering index (CRI)	100
LLMF At End Of Nominal Lifetime (Nom)	80 %
Operating and Electrical	
Power Consumption	50.0 W
Lamp Current (Nom)	0.24 A
Starting Time (Nom)	0.0 s
Warm-up time to 60% light	Instant full light s
Power Factor (Fraction)	1
Voltage (Nom)	12 V
Voltage (Nom)	12 V

Controls and Dimming	
Dimmable	Yes
Mechanical and Housing	
Bulb Shape	R111
Approval and Application	
Energy Consumption kWh/1000 h	53 kWh
Product Data	
Order product name	Alu111 50W 4000h G53 12V 24D 1CT/6
Full product name	Alu111 50W 4000h G53 12V 24D 1CT/6
Full product code	87186965886600
Order code	925721417101
Material Nr. (12NC)	925721417101
Numerator - Quantity Per Pack	1
EAN/UPC - Product/Case	8718696588666
Numerator - Packs per outer box	6
EAN/UPC - Case	8718696588673

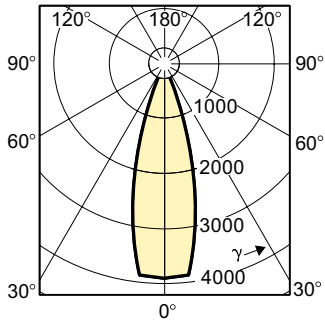
# Aluline 111

## Dimensional drawing



Product	D (max)	C (max)	C1 (max)
Alu111 50W 4000h G53 12V 24D 1CT/6	111 mm	67 mm	51 mm

## Photometric data



Light Distribution Diagram - Alu111 50W 4000h G53 12V 24D 1CT/6

