

# InfraRed Healthcare Heat Incandescent

## PAR38 IR 150W E27 230V Red 1CT/12

Philips infrared lamps for healthcare and bodycare applications are designed for treating deep-seated muscular ailments and sports injuries. These incandescent reflector lamps are an excellent solution to provide localized heat treatment to relieve muscular pain. They can also be used to treat rheumatic ailments. This form of heat therapy has also been shown to speed the healing of different kinds of injuries such as sports injuries and non-infected wounds, in many cases providing rapid and effective pain relief. The benefits of this form of heat therapy are based on locally enhanced blood circulation in the skin caused by vasodilatory response. This results in an increased transport rate of metabolites and other essential biochemical compounds. Benefits are also gained by deeper penetration of heat, which provides a gentle, pleasant warming effect.

### Product data

General Information	
Cap-Base	E27 [E27]
Operating Position	UNIVERSAL [Any or Universal (U)]
Nominal lifetime	300 hour(s)
Rated Lifetime (Hours)	300 hour(s)
Lighting Technology	Incandescent

Operating and Electrical	
Power Consumption	150 W
Voltage (Nom)	230 V
Voltage (Nom)	230 V

Controls and Dimming	
Dimmable	Yes

Mechanical and Housing	
Bulb Finish	Red
Bulb Material	Hard Glass
Bulb Shape	PAR38 [PAR 4.75 inch/121mm]

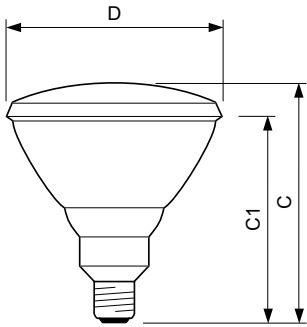
Product Data	
Order product name	PAR38 IR 150W E27 230V Red 1CT/12
Full product name	PAR38 IR 150W E27 230V Red 1CT/12
Full product code	871150012887415
Order code	923806644210
Material Nr. (12NC)	923806644210

# InfraRed Healthcare Heat Incandescent

Numerator - Quantity Per Pack	1
EAN/UPC - Product/Case	8711500128874
Numerator - Packs per outer box	12

EAN/UPC - Case	8727900207347
----------------	---------------

## Dimensional drawing



Product	D	C (max)	C1 (max)
PAR38 IR 150W E27 230V Red 1CT/12	121 mm	136 mm	124 mm

