



HF-Essential II for TL5/TL-D

HF-E 1/2 28-35 TL5 II 220-240 50/60Hz

Essentially smart and reliable. HF-Essential II is the most cost-effective solution for reliably operation of a fluorescent lamp. It is also the ideal entry-level product for electromagnetic system users who want to take advantage of the benefits provided by electronic ballasts. The cost-saving and reliable HF-Essential II is energy efficiency class A2, and its robust design meets all relevant international safety and performance standards. HF- Essential II is the ideal choice for a broad range of new construction and retrofit applications within the commercial sector, including general surface mounting and office lighting, parking garages, warehouses and other applications. The ballast is primarily designed for Indoor application. For outdoor application, the luminaire should be minimum Classland need to be sufficiently protected against water & dust. The installation should also be guard against any lightening surge or any other necessary electrical protection as deemed in such typical installation & application.

Product data

Operating and Electrical		Number of Products on MCB (16A Type B) (Nom)	
Input Voltage	220 to 240 V	25	
Line Frequency	50 to 60 Hz		
Input Frequency	50 to 60 Hz		
Power Consumption	75 W		
Earth Leakage Current (Max)	0.5 mA		
Inrush Current Width	0.23 ms		
Power Factor (Fraction)	0.97		
Input Current (Max)	0.41 A		
Input Current (Min)	0.127 A		
Inrush Current Peak (Max)	21 A		
		Wiring	
		Connector Type Input Terminals	WAGO 744 connector
		Connector Type Output Terminals	Wago 744
		Temperature	
		Ambient temperature range	0 °C to 50 °C
		T-Case Lifetime (Nom)	75 °C
		T-Case Maximum (Max)	75 °C

HF-Essential II for TL5/TL-D

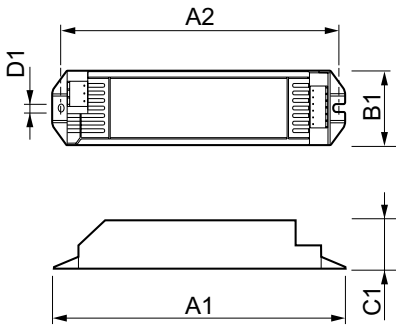
Mechanical and Housing	
Housing	L 211x40x28.7

Approval and Application	
Ingress protection code	IP20 [Finger-protected]
Energy Efficiency Index	A2
Safety Standard	IEC 61347-2-3
Approval Marks	CE marking KEMA Keur certificate CB Certificate RoHS Compliant

Product Data	
Full product code	871869656767800

Order product name	HF-E 1/2 28-35 TL5 II 220-240 50/60Hz
Order code	913713042866
Numerator - Quantity Per Pack	1
Numerator - Packs per outer box	20
Material Nr. (12NC)	913713042866
Full product name	HF-E 1/2 28-35 TL5 II 220-240 50/60Hz
EAN/UPC - Case	8718696567685
EAN/UPC - Product/Case	8718696567678

Dimensional drawing



Product	A1	B1	C1	D1	A2
HF-E 1/2 28-35 TL5 II 220-240 50/60Hz	211 mm	40 mm	28.7 mm	4.2 mm	198 mm

