



HF-Essential II for TL5/TL-D

HF-E 1/2 54 TL5 II 220-240V 50/60Hz

Essentially smart and reliable; HF-Essential II is the most cost-effective solution for reliably operation of a fluorescent lamp. It is also the ideal entry-level product for electromagnetic system users who want to take advantage of the benefits provided by electronic ballasts.; The cost-saving and reliable HF-Essential II is energy efficiency class A2, and its robust design meets all relevant international safety and performance standards.; HF- Essential II is the ideal choice for a broad range of new construction and retrofit applications within the commercial sector, including general surface mounting and office lighting, parking garages, warehouses and other applications.; The ballast is primarily designed for Indoor application. For outdoor application, the luminaire should be minimum Class II need to be sufficiently protected against water & dust. The installation should also be guard against any lightning surge or any other necessary electrical protection as deemed in such typical installation & application.

Product data

General information		Power Factor 100% Load (Nom)	
Lamp Type	TL5 II		0.98
Number of Lamps	1/2 piece/unit	Preheat Time	1.7 s
Number of Products on MCB (16A Type B) (Nom)	20	Mains Voltage Performance (AC)	202-254V -8% -+6%
Automatic Restart	Yes	Mains Voltage Safety (AC)	198-264V -10% -+10%
		Earth Leakage Current (Max)	0.5 mA
		Inrush Current Width	0.3 ms
		Ballast Factor (Nom)	0.97
		Power Losses (Nom)	4.6/8.24 W
		Inrush Current Peak (Max)	24 A
		Efficiency at full load [%]	89.76 %
Operating and electrical			
Input Voltage	220 to 240 V		
Input Frequency	50 to 60 Hz		
Operating Frequency (Nom)	44.3 kHz		
Crestfactor (Nom)	1.8		

HF-Essential II for TL5/TL-D

Wiring

Connector Type Input Terminals	Insert
Cable Capacity Output Wires Mutual (Max)	200 pF
Connector Type Output Terminals	Insert
Cable Length Hot Wiring	0.75 m
Wire Striplength	8.0-9.0 mm
Dual Fixture Master/Slave	Possible, lamp wires 0.75m max. length [Master/Slave operation possible]
Input Terminal Cross Section	0.50-1.50 mm ²
Output Terminal Cross Section	0.50-1.50 mm ²
Cable Capacity Cold Output Wires - Earth (Max)	200 pF
Cable Capacity Hot Output Wires - Earth (Max)	200 pF

System characteristics

Rated Ballast-Lamp Power	54/55/58 W
Lamp Power on TL5	53.3-47.75-47.91 W

Temperature

T-Ambient (Max)	50 °C
T-Ambient (Min)	0 °C
T-Storage (Max)	80 °C
T-Storage (Min)	-40 °C
T-Case Lifetime (Nom)	75 °C
T-Case Maximum (Max)	75 °C

Mechanical and housing

Housing	L280x30x22,7
---------	--------------

Emergency operation

Nominal Light Output After 60 Seconds	100% of EBLF
Normal Operating Voltage (DC)	220-240 V
Battery Voltage Guaranteed Operation	176-275 V
Battery Voltage Guaranteed Ignition	186-275 V
Emergency Ballast Lumen Factor (EBLF) (Nom)	100 %
Nominal Light Output After 5 Seconds	50% of EBLF

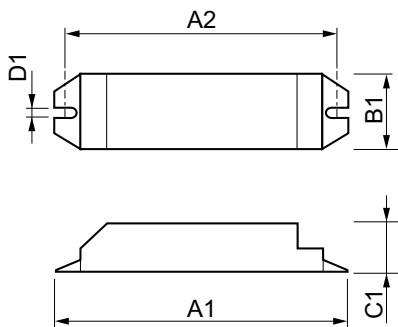
Approval and application

Energy Efficiency Index	A2
IP Classification	IP 20 [Ingress Protection 20]
EMI 9 kHz ... 30 MHz	EN55015
Vibration Standard	IEC60068-2-6_2007-Fc
Bumps Standard	IEC 60068-2-29:1993-Eb
Approval Marks	CE marking KEMA Keur certificate CB Certificate RoHS Compliant
Hum And Noise Level	< 30 dB(A)

Product data

Full product code	871829177066400
Order product name	HF-E 1/2 54 TL5 II 220-240V 50/60Hz
EAN/UPC - Product	8718291770664
Order code	913713040866
Numerator - Quantity Per Pack	1
Numerator - Packs per outer box	50
Material Nr. (12NC)	913713040866
Copy Net Weight (Piece)	0.125 kg

Dimensional drawing



HF-E 1/2 54 TL5 II 220-240V 50/60Hz

Product	D1	C1	A1	A2	B1
HF-E 1/2 54 TL5 II 220-240V 50/60Hz	4.2 mm	22.7 mm	280.0 mm	270.0 mm	30.0 mm

HF-Essential II for TL5/TL-D

