



PrimaVision BasePerform

HID-PV Base HID-PV Base 150 SON/CDO Q 220-240V

Highly reliable electronic drivers for SON and CDO lamps designed to save energy thanks to better light efficiency compared to magnetic drivers, and to save on maintenance costs thanks to a lifetime of up to 50,000 hours.

Product data

General information	
Lamp Type	SON/CDO
Number of Lamps	1 piece/unit
Suitable For Outdoor Use	Yes
Number of Products on MCB (16A Type B) (Nom)	8
Default Lamp Selected	SON/CDO150
Automatic Restart	No
Operating and electrical	
Input Voltage	220 to 240 V
Input Frequency	50 to 60 Hz
Minimum Mains Voltage Operation (Min)	172 V
Operating Frequency (Nom)	0.145 kHz
Power Factor 100% Load (Nom)	0.95
Ignition Time (Max)	300 s
Ignition Time (Nom)	90 s
Ignition Voltage (Max)	5 kV
Ignition Switch-Off Time (Nom)	20 min
Mains Voltage Performance (AC)	198-254V

Mains Voltage Safety (AC)	180-264V
Earth Leakage Current (Max)	0.7 mA
Output Peak Voltage (Max)	250 V
Inrush Current Width	0.02 ms
Lamp Power Tolerance	-5%/+5%
Input Current (Nom)	0.75 A
Inrush Current Peak (Max)	35 A
Rated Lamp Power	150 W
Efficiency at full load [%]	92.28 %

Wiring

Cable Capacity Output Wires Mutual (Max)	150 pF
Cable Length From Device to Lamp	1.5 m
Wire Striplength	10.0-11.0 mm
Ballast Contact Wire Cross Section	0.50-2.50 mm ²
Connector Type	WAGO series 804

System characteristics

Rated Ballast-Lamp Power	164 W
Rated Lamp Power on CDO	150 W

PrimaVision BasePerform

System Power on CDO	164 W
Lamp Power on CDO	150 W
Power Loss on CDO	14 W
Rated Lamp Power on Son	150 W
System Power on Son	164 W
Lamp Power on Son	150 W
Power Loss on Son	14 W

Temperature

T-Ambient (Max)	55 °C
T-Ambient (Min)	-30 °C
T-Storage (Max)	55 °C
T-Storage (Min)	-30 °C
T-Case Lifetime (Nom)	80 °C
T-Case Switch Off (Min)	90 °C

Controls and dimming

Programmable Lamp Settings	None
Pre-Set Integrated Controls	None
Programmable Dimming Options	None
Control Input Protection	Yes (Basic insulation)

Mechanical and housing

Housing	Q
---------	---

Approval and application

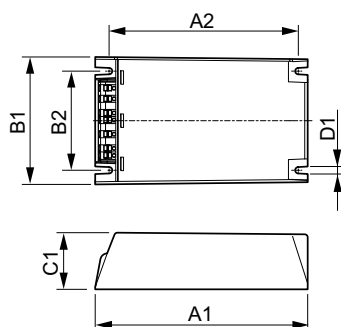
Surge Protection (Common/Differential)	EN61547 (L-L 2kV, L-G 4kV) kV
IP Classification Luminaire	20
Active Temperature Protection	Yes

EMI 9 kHz ... 300 MHz	CISPR 15 ed 7.2
EMI 30 MHz ... 1000 MHz	CISPR15 Edition 7.2
Safety Standard	IEC 607, 609, 926, 928 [No Standard for HID Lamp drivers exists. Requirements in these standards to be used if considered relevant for the product.]
Quality Standard	ISO 9000:2000
Environmental Standard	ISO 14001
Harmonic Current Emission Standard	IEC 61000-3-2
Vibration Standard	IEC 68-2-6 Fc (10-150Hz, 2G)
Bumps Standard	IEC 68-2-29 Eb (10G/16ms)
Humidity Standard	EN 61347-2-12 clause 11
Approval Marks	CE marking ENEC certificate VDE-EMV certificate
Hum And Noise Level	< 30 dB(A)

Product data

Full product code	871869653157000
Order product name	HID-PV Base HID-PV Base 150 SON/CDO Q 220-240V
EAN/UPC - Product	8718696531570
Order code	913712008966
Numerator - Quantity Per Pack	1
Numerator - Packs per outer box	12
Material Nr. (12NC)	913712008966
Net Weight (Piece)	0.730 kg

Dimensional drawing



HID-PV Base HID-PV Base 150 SON/CDO Q 220-240V

Product	D1	C1	A1	A2	B1	B2
HID-PV Base HID-PV	4.5 mm	40.0	150.0	133.6	90.0	70.0
Base 150 SON/CDO Q 220-240V		mm	mm	mm	mm	mm

PrimaVision BasePerform

