



# Dynalite Signal Dimmer Controllers

## DDBC120-DALI

Signal Dimmer Controller up to 64 DALI lamp drivers and 10 DALI sensors/switches.

Signal Dimmer Controller up to 64 DALI lamp drivers and 10 DALI sensors/switches.

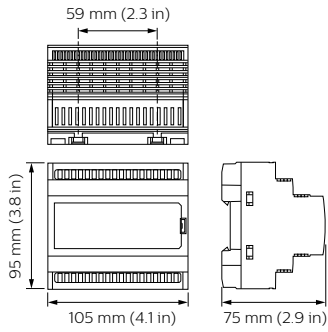
### Product data

General information	
CE mark	CE mark
Remarks	Please download the Lighting - Product Data Sheet for more information and ordering options
EU RoHS compliant	Yes
Application conditions	
Ambient temperature range	0 to +40 °C
Product data	
Full product code	871869688704200

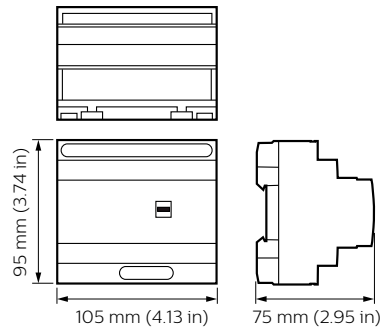
Order product name	DDBC120-DALI
EAN/UPC - Product	8718696887042
Order code	913703685109
Numerator - Quantity Per Pack	1
Numerator - Packs per outer box	1
Material Nr. (12NC)	913703685109
Net Weight (Piece)	203.000 g

# Dynalite Signal Dimmer Controllers

## Dimensional drawing



DDBC120-DALI



DDBC120-DALI

