



Dynalite Relay Controllers

DRC-GRMS-UL

Purpose-built room automation and energy management system. This dedicated controller is completely self-contained and requires no external power supply, relays or processor.

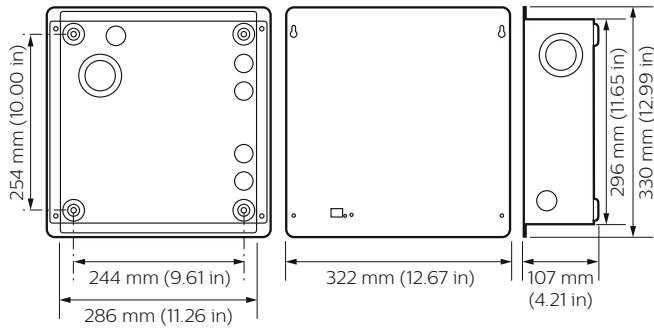
Purpose-built room automation and energy management system. This dedicated controller is completely self-contained and requires no external power supply, relays or processor.

Product data

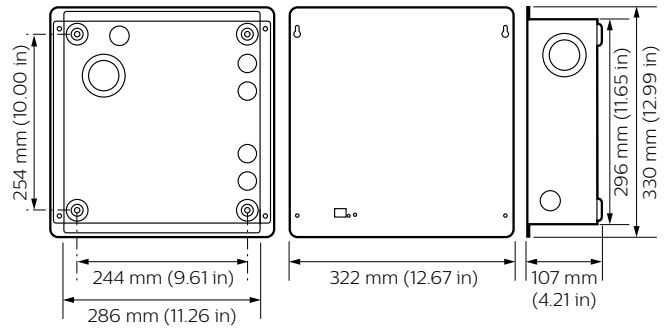
General Information		Order product name	
Remarks	Please download the Lighting - Product Data Sheet for more information and ordering options	DRC-GRMS-UL	
EU RoHS compliant	Yes	EAN/UPC - Product	8718696887646
		Order code	913703331109
		Numerator - Quantity Per Pack	1
		Numerator - Packs per outer box	1
		Material Nr. (12NC)	913703331109
		Net Weight (Piece)	3.300 kg
Application Conditions			
Ambient temperature range	0 to +40 °C		
Product Data			
Full product code	871869688764600		

Dynalite Relay Controllers

Dimensional drawing



Dynalite Relay Controllers



Dynalite Relay Controllers

