



Dynalite Relay Controllers

DDRC420FR

4 channel Relay Controller for all types of switched loads up to 20A inductive.

4 channel Relay Controller for all types of switched loads up to 20A inductive.

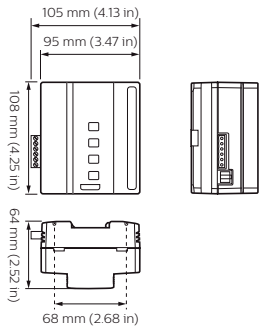
Product data

General information	
CE mark	CE mark
Remarks	Please download the Lighting - Product Data Sheet for more information and ordering options
EU RoHS compliant	Yes
Application conditions	
Ambient temperature range	0 to +50 °C
Product data	
Full product code	871869688811700

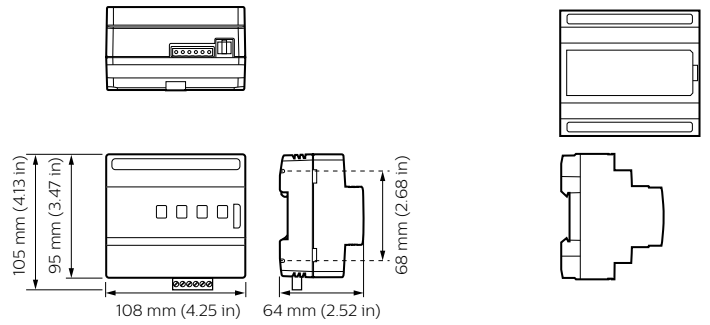
Order product name	DDRC420FR
EAN/UPC - Product	8718696888117
Order code	913703244609
Numerator - Quantity Per Pack	1
Numerator - Packs per outer box	1
Material Nr. (12NC)	913703244609

Dynalite Relay Controllers

Dimensional drawing



DDRC420FR



DDRC420FR

