



# Dynalite Integration Devices

## DDFCUC010

Fan Coil Unit Controller for direct connection to air conditioning systems

The Philips Dynalite DDFCUC010 is a fan coil unit controller designed for direct connection to components commonly found in air conditioning systems.

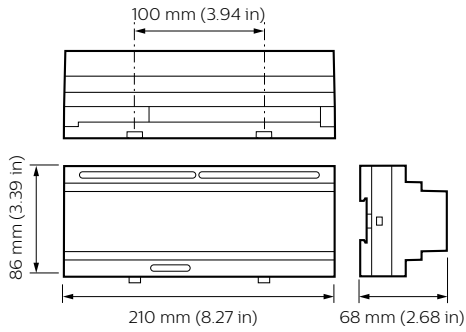
### Product data

General Information	
CE mark	CE mark
Remarks	Please download the Lighting - Product Data Sheet for more information and ordering options
EU RoHS compliant	Yes
Product Data	
Full product code	871016352600300
Order product name	DDFCUC010

EAN/UPC - Product	8710163526003
Order code	913703081909
Numerator - Quantity Per Pack	1
Numerator - Packs per outer box	1
Material Nr. (12NC)	913703081909
Net Weight (Piece)	0.800 kg

# Dynalite Integration Devices

## Dimensional drawing



Dynalite System Integration

