



Dynalite Integration Devices

DDNI485

Passive Gateway to provide cost-effective optical isolation

Passive Gateway to provide cost-effective optical isolation

Product data

General Information	
CE mark	CE mark
Remarks	Please download the Lighting - Product Data Sheet for more information and ordering options
EU RoHS compliant	Yes

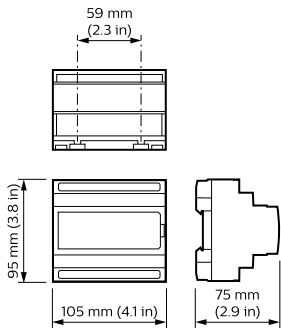
Approval and Application	
IP Classification	IP 20 [Ingress Protection 20]

Application Conditions	
Ambient temperature range	0 to +50 °C

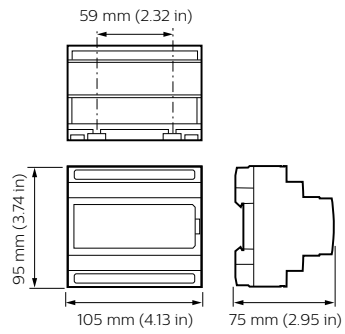
Product Data	
Full product code	871016350788000
Order product name	DDNI485
EAN/UPC - Product	8710163507880
Order code	913703081309
Numerator - Quantity Per Pack	1
Numerator - Packs per outer box	1
Material Nr. (12NC)	913703081309
Net Weight (Piece)	0.150 kg

Dynalite Integration Devices

Dimensional drawing



Dynalite System Integration



Dynalite System Integration

