



# Dynalite Signal Dimmer Controllers

## DDBC300-D

Signal Dimmer Controller with 3 full universes totalling 192 DALI addresses.

Signal Dimmer Controller with 3 full universes totalling 192 DALI addresses.

### Product data

General information	
CE mark	CE mark
Type description - long text	Signal Dimmer Controller with 3 full universes totalling 192 DALI addresses.
Remarks	Please download the Lighting - Product Data Sheet for more information and ordering options
EU RoHS compliant	Yes

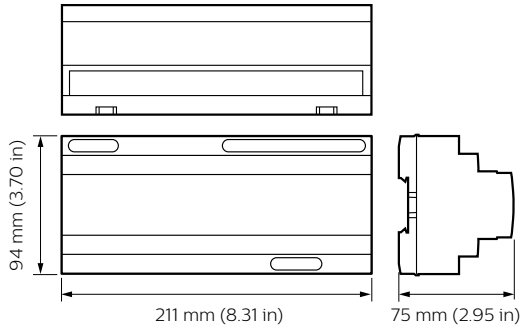
Application conditions	
Ambient temperature range	0 to +40 °C

Product data	
Full product code	871016350641800

Order product name	DDBC300-D
EAN/UPC - Product	8710163506401
Order code	913703031109
Numerator - Quantity Per Pack	1
Local code description	MODULO CONTROLE DDBC300-DALI
Numerator - Packs per outer box	1
Material Nr. (12NC)	913703031109
Net Weight (Piece)	0.410 kg

# Dynalite Signal Dimmer Controllers

## Dimensional drawing



DDBC300-D

