



Dynalite Signal Dimmer Controllers

DMBC110

Signal Dimmer & Relay Controller (luminaire based)

Signal Dimmer & Relay Controller (luminaire based)

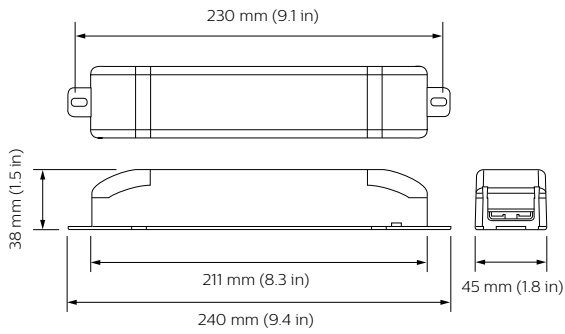
Product data

General information	
CE mark	CE mark
Remarks	Please download the Lighting - Product Data Sheet for more information and ordering options
EU RoHS compliant	Yes
Application conditions	
Ambient temperature range	0 to +50 °C
Product data	
Full product code	871016350636400

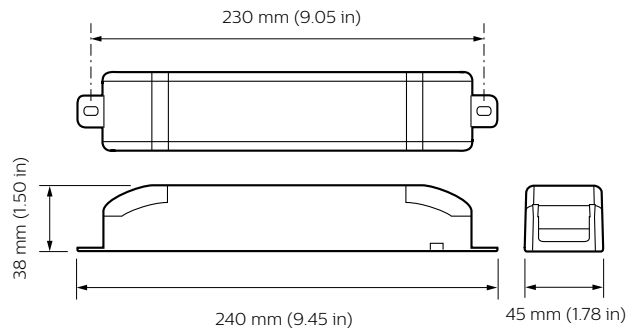
Order product name	DMBC110
EAN/UPC - Product	8710163506364
Order code	913703030009
Numerator - Quantity Per Pack	1
Numerator - Packs per outer box	1
Material Nr. (12NC)	913703030009

Dynalite Signal Dimmer Controllers

Dimensional drawing



DMBC110



DMBC110

