



Dynalite Multipurpose Controllers

DMC810GL

Multipurpose Controller combining leading edge and signal dimming control

Multipurpose Controller combining leading edge and signal dimming control

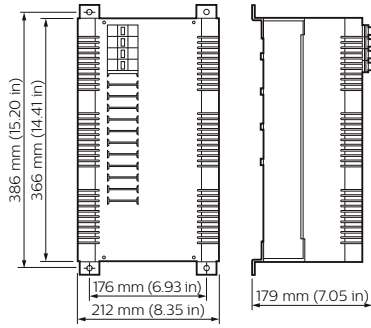
Product data

| General Information | |
|---------------------------|---|
| CE mark | CE mark |
| Remarks | Please download the Lighting - Product Data Sheet for more information and ordering options |
| EU RoHS compliant | Yes |
| Application Conditions | |
| Ambient temperature range | 0 to +40 °C |
| Product Data | |
| Full product code | 871016350632600 |

| | |
|---------------------------------|---------------|
| Order product name | DMC810GL |
| EAN/UPC - Product | 8710163506326 |
| Order code | 913703028009 |
| Numerator - Quantity Per Pack | 1 |
| Numerator - Packs per outer box | 1 |
| Material Nr. (12NC) | 913703028009 |
| Net Weight (Piece) | 6.750 kg |

Dynalite Multipurpose Controllers

Dimensional drawing



Dynalite Multipurpose Controllers

