



Dynalite Phase-Cut Dimmers

DTE1210

12 channel Trailing Edge Dimmer Controller with a maximum load per channel of 10 A.

The Philips Dynalite DTE1210 trailing edge dimmer controller features 12 channels, with a maximum load per channel of 10 A and a total box load of 120 A. - The trailing edge output makes the device suitable for control of both trailing and leading edge electronic transformers, as well as incandescent lamps and track lighting. - Operates from three phase supply Voltage regulation and soft start technologies Naturally ventilated Interface to other devices Internal controls Options available

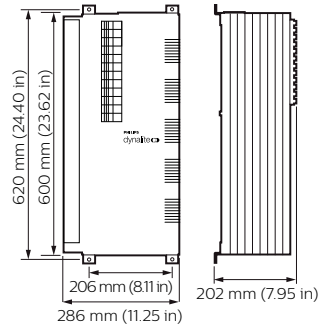
Product data

General Information	
CE mark	CE mark
Remarks	Please download the Lighting - Product Data Sheet for more information and ordering options
EU RoHS compliant	Yes
Application Conditions	
Ambient temperature range	0 to +40 °C
Product Data	
Full product code	871016350586200

Order product name	DTE1210
EAN/UPC - Product	8710163505862
Order code	913703022009
Numerator - Quantity Per Pack	1
Numerator - Packs per outer box	1
Material Nr. (12NC)	913703022009
Net Weight (Piece)	16.000 kg

Dynalite Phase-Cut Dimmers

Dimensional drawing



Dynalite Trailing Edge Dimmers

Dynalite Trailing Edge Dimmers

