

PHILIPS

Lighting



HF-Performer III for PL-T/C lamps

HF-P 1/226 PL-T/C III 220-240V

HF-Performer III PL-T/C is a sustainable, slim and high-frequency electronic ballast for PL-T and PL-C fluorescent lamps. It is ideal for applications where high energy efficiency is required. The HF-Performer III range has a robust design, meets all relevant international safety and performance standards and is energy efficient (CELMA EEI A2).;The ballast is primarily designed for Indoor application. For outdoor application, the luminaire should be minimum Class II need to be sufficiently protected against water & dust. The installation should also be guard against any lightning surge or any other necessary electrical protection as deemed in such typical installation & application.

Product data

General Information			
Application Code	III	Power Factor 100% Load (Nom)	0.95
Lamp Type	PL-T/C	Ignition Time (Max)	0.65 s
Number of Lamps	2 piece/unit	Mains Voltage Performance (AC)	-8%+6%
Number of Products on MCB (16A Type B) (Nom)	28	Mains Voltage Safety (AC)	-10%+10%
Automatic Restart	Yes	Earth Leakage Current (Nom)	0.5 mA
Operating and Electrical		Inrush Current Width	0.250 ms
Input Voltage	220 to 240 V	Constant Wattage Deviation	-2%/+2%
Input Frequency	50 to 60 Hz	Ballast Factor (Nom)	1
Operating Frequency (Max)	- kHz	Power Losses (Nom)	4.25-3.59 W
Operating Frequency (Min)	42 kHz	Inrush Current Peak (Max)	18 A
Operating Frequency (Nom)	45 kHz	Efficiency at full load [%]	88.62 %
Ignition Method	Warm Start	Wiring	
Crestfactor (Max)	1.7	Connector Type Input Terminals	Insert
		Cable Capacity Output Wires Mutual (Nom)	100 pF
		Connector Type Output Terminals	Insert

HF-Performer III for PL-T/C lamps

Cable Length From Device to Lamp	1 m
Cable Length Hot Wiring	1 m
Wire Striplength	8.5-9.5 mm
Dual Fixture Master/Slave	Not applicable [Master/Slave oper. not applicable]
Input Terminal Cross Section	0.50-1.50 mm ²
Output Terminal Cross Section	0.50-1.50 mm ²
Cable Capacity Output Wires to Earth (Nom)	100 pF

System characteristics

Rated Ballast-Lamp Power	26 W
Rated Lamp Power on PL-T/C	2x26/26 W
System Power on PL-T/C	50.6/27.2 W
Power Loss on PL-T/C	5.63/3.61 W
Lamp Power on PL-T/C	45/23.63 W

Temperature

T-Ambient (Max)	50 °C
T-Ambient (Min)	-25 °C
T-Storage (Max)	80 °C
T-Storage (Min)	-40 °C
T-Case Lifetime (Nom)	75 °C
T-Case Maximum (Max)	75 °C
T-Ignition (Max)	50 °C
T-Ignition (Min)	-25 °C

Mechanical and Housing

Housing	S 103x67x30
---------	-------------

Emergency Operation

Nominal Light Output After 60 Seconds	100% of EBLF
Battery Voltage Lamp Ignition	198-254 V
Normal Operating Voltage (DC)	220-240 V
Battery Voltage Lamp Operation	176-254

Battery Voltage Guaranteed Operation	176-275 V
Battery Voltage Guaranteed Ignition	186-275 V
Nominal Light Output After 5 Seconds	50% of EBLF

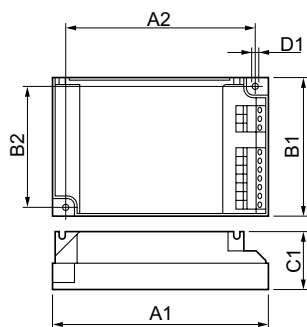
Approval and Application

Energy Efficiency Index	A2/A2 BAT
IP Classification	IP 20 [Ingress Protection 20]
EMI 9 kHz ... 30 MHz	EN55015
Safety Standard	IEC 61347-2-3
Performance Standard	IEC 60929
Quality Standard	ISO 9000:2000
Environmental Standard	ISO 14001
Harmonic Current Emission Standard	IEC 61000-3-2
EMC Immunity Standard	IEC 61547
Vibration Standard	IEC68-2-6 F c
Bumps Standard	IEC 68-2-29 Eb
Humidity Standard	EN 61347-2-3 clause 11
Approval Marks	CE marking ENEC certificate VDE-EMV certificate
Temperature Marking	Yes
Emergency Standard	IEC 60598-2-22
Hum And Noise Level	Inaudible

Product Data

Full product code	872790083423900
Order product name	HF-P 1/226 PL-T/C III 220-240V
EAN/UPC - Product	8711500881052
Order code	913700648866
Numerator - Quantity Per Pack	1
Numerator - Packs per outer box	12
Material Nr. (12NC)	913700648866
Net Weight (Piece)	0.130 kg

Dimensional drawing



HF-P 1/226 PL-T/C III 220-240V 50/60Hz

Product	D1	C1	A1	A2	B1	B2
HF-P 1/226 PL-T/C III 220-240V	4.2 mm	30.0	103.8	93.5	67.8	57.5
		mm	mm	mm	mm	mm

HF-Performer III for PL-T/C lamps

