



# ActiLume DALI

## LRI1663/00 ActiLume gen2 Multi-Sensor

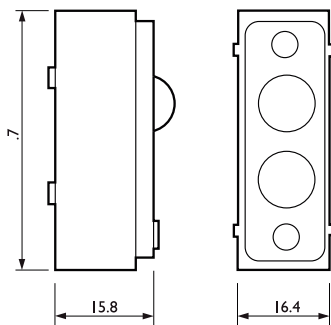
The Philips ActiLume DALI lighting control system consists of a small, lightweight sensor and controller, designed for easy integration into luminaires. ActiLume is a true Plug and Play solution for open plan or cell offices. It is used in a master/slave luminaire concept, easy to use and easy to install. Application brochures are available to help specify and apply the system in an optimal way.

### Product data

Product data	
Full product code	871829168092500
Order product name	LRI1663/00 ActiLume gen2 Multi-Sensor
EAN/UPC - Product	8718291680925
Order code	913700356703
Numerator - Quantity Per Pack	1

Numerator - Packs per outer box	12
Material Nr. (12NC)	913700356703
Net Weight (Piece)	28.000 g

### Dimensional drawing



LRI1663/00 ActiLume gen2 Multi-Sensor