

# Starsense Wireless

## LLC7301/00 Starsense Wireless 1-10V/DALI

Starsense Wireless is a networked controls system based on two-way wireless communication using the latest in mesh network technology. The system enables individual light points to be controlled remotely and to be managed via online platforms. Lighting operators can control remotely the outdoor lighting infrastructure setting dimming levels to achieve considerable energy savings and can get real time feedback from the luminaires reducing operating and maintenance costs via accurate scheduling of on-site maintenance service tasks, while improving both the quality and reliability of outdoor lighting.

Starsense Wireless is a networked controls system based on two-way wireless communication using the latest in mesh network technology. The system enables individual light points to be controlled remotely and to be managed via online platforms. Lighting operators can control remotely the outdoor lighting infrastructure setting dimming levels to achieve considerable energy savings and can get real time feedback from the luminaires reducing operating and maintenance costs via accurate scheduling of on-site maintenance service tasks, while improving both the quality and reliability of outdoor lighting.

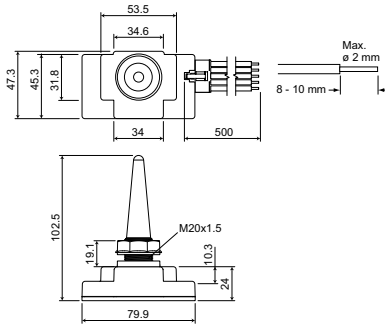
### Product data

Product Data		Order code	
Full product code	871829119513900	Order code	913700349203
Order product name	LLC7301/00 Starsense Wireless 1-10V/DALI	Numerator - Quantity Per Pack	1
EAN/UPC - Product	8718291195139	Numerator - Packs per outer box	24
		Material Nr. (12NC)	913700349203

# Starsense Wireless

Net Weight (Piece)	0.120 kg
--------------------	----------

## Dimensional drawing



Starsense Wireless

