

HID-HeavyDuty BSN semi-parallel for SON/CDO/MH/HPI

BSN 70 L34-A2-TS 240V 50Hz HD1-118

Encapsulated electromagnetic copper/iron ballasts for use with an external semi-parallel ignitor for CDM, CDO, MH, HPI (Plus) and SON lamps

Product data

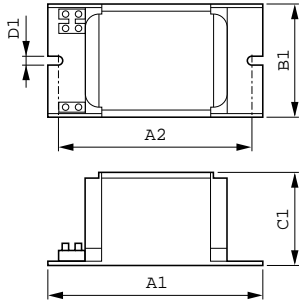
General information		Ballast Contact Wire Cross Section	
Application Code	L34-A2-TS		0.70-6.00 mm ²
Design	HD1-118	Connector Type	Screw
Lamp Type	SON/CDO	System characteristics	
Number of Lamps	1 piece/unit	Capacitor	12µF/250V
		Rated Ballast-Lamp Power	70 W
		Recommended Ignitor	for SON/CDO lamps SND57 (913700184966) or series digital SUD10 (913700195891)
Operating and electrical		Temperature	
Input Voltage	240 V	T-Storage (Max)	130 °C
Input Frequency	50 Hz	T-Storage (Min)	-30 °C
Power Factor 100% Load (Nom)	0.87	T-Winding (Max)	130 °C
Mains Voltage Performance (AC)	-8%~+6%	Delta-T Normal Conditions	55 °C
Mains Voltage Safety (AC)	-10%~+10%	Approval and application	
Input Current with PF Correction	0.45 A	Active Temperature Protection	Yes
Input Current without PF Correction	1.00 A	Approval Marks	CE marking ENEC certificate
Power Factor without PF Compensation (Nom)	0.35		
Power Losses (Nom)	11.5 W		
Wiring			
Wire Striplength	7.0 mm		

HID-HeavyDuty BSN semi-parallel for SON/CDO/MH/HPI

Product data	
Full product code	871150005970331
Order product name	BSN 70 L34-A2-TS 240V 50Hz HD1-118
EAN/UPC - Product	8711500059703
Order code	913700226626
Numerator - Quantity Per Pack	1

Numerator - Packs per outer box	6
Material Nr. (12NC)	913700226626
Copy Net Weight (Piece)	1.280 kg

Dimensional drawing



Product	D1	C1	A1	A2	B1
BSN 70 L34-A2-TS 240V 50Hz HD1-118	6.2 mm	53.0 mm	118.0 mm	103.0 mm	65.0 mm

BSN 70 L34-A2-TS 240V 50Hz HD1-118

