



# HID ignitors for series systems

## SUD 40-S 220-240V 50/60Hz

HID ignitors for series systems

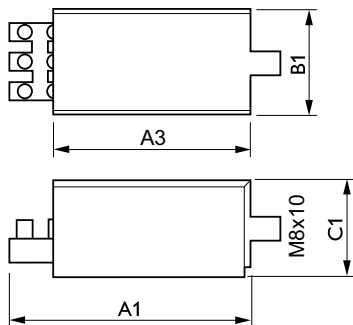
### Product data

General Information	
Application Code	40-S
Lamp Type	SON/MH/CDM/CDO
Number of Lamps	1 piece/unit
Operating and Electrical	
Input Voltage	220 to 240 V
Input Frequency	50 to 60 Hz
Ignition Voltage (Max)	5 kV
Ignition Voltage (Min)	4 kV
Power Losses (Nom)	1 W
Wiring	
Ballast Contact Wire Cross Section	4 mm <sup>2</sup>
System characteristics	
Rated Ballast-Lamp Power	150/250/400 W

Temperature	
T-Ambient (Max)	70 °C
T-Ambient (Min)	-30 °C
T-Case Maximum (Max)	105 °C
Product Data	
Full product code	871150093035430
Order product name	SUD 40-S 220-240V 50/60Hz
EAN/UPC - Product	8711500930354
Order code	913700193591
Numerator - Quantity Per Pack	1
Numerator - Packs per outer box	30
Material Nr. (12NC)	913700193591
Net Weight (Piece)	0.156 kg

## HID ignitors for series systems

### Dimensional drawing



SUD 40-S 220-240V 50/60Hz

Product	C1	A1	A3	B1
SUD 40-S 220-240V 50/60Hz	32 mm	78 mm	62 mm	36 mm

