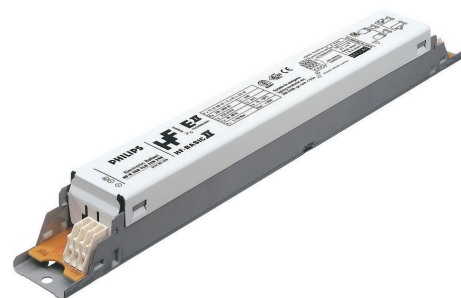


PHILIPS

Lighting



HF-Basic II for TL-D lamps

HF-B 158/258 TL-D EII 220-240V 50/60Hz

Affordable, reliable, CE complying, high frequency electronic ballast for TLD fluorescent lamps Ideal alternative for electromagnetic (EM) ballasts

Product data

General Information

Application Code	EII
Type Version	mk1
Lamp Type	TL-D
Number of Lamps	2 piece/unit
Number of Products on MCB (16A Type B) (Nom)	12
Automatic Restart	Yes

Operating and Electrical

Input Voltage	220 to 240 V
Input Frequency	50 to 60 Hz
Operating Frequency (Max)	- kHz
Operating Frequency (Min)	42 kHz
Operating Frequency (Nom)	45 kHz
Ignition Method	Cold Start
Crestfactor (Max)	1.7
Power Factor 100% Load (Nom)	0.96
Ignition Time (Max)	0.5 s
Mains Voltage Performance (AC)	-8% - +6%
Mains Voltage Safety (AC)	-10% - +10%
Earth Leakage Current (Nom)	0.5 mA

Inrush Current Width	0.35 ms
Constant Wattage Deviation	-2%/+2%
Ballast Factor (Nom)	0.95
Power Losses (Nom)	6.0 W
Inrush Current Peak (Max)	31 A

Wiring

Connector Type Input Terminals	WAGO 251 universal connector [Suitable for both automatic wiring (ALF and ADS) and manual wiring]
Cable Capacity Output Wires Mutual (Nom)	120 pF
Connector Type Output Terminals	WAGO 251 universal connector [Suitable for both automatic wiring (ALF and ADS) and manual wiring]
Cable Length From Device to Lamp	2.00 m
Cable Length Hot Wiring	0.75 m
Wire Striplength	8.0-9.0 mm
Dual Fixture Master/Slave	Yes [Master/Slave operation possible]
Input Terminal Cross Section	0.50-1.00 mm ²
Output Terminal Cross Section	0.50-1.00 mm ²
Auto Insert (ALF/ADS) Wire Cross Section	0.5 mm ²
Cable Capacity Output Wires to Earth (Nom)	120 pF

HF-Basic II for TL-D lamps

System characteristics

Rated Ballast-Lamp Power	58 W
Rated Lamp Power on TL-D	58 W
System Power on TL-D	57 W
Lamp Power on TL-D	50 W
Power Loss on TL-D	7 W

Temperature

T-Ambient (Max)	50 °C
T-Ambient (Min)	-15 °C
T-Storage (Max)	80 °C
T-Storage (Min)	-40 °C
T-Case Lifetime (Nom)	75 °C
T-Case Maximum (Max)	75 °C
T-Ignition (Max)	50 °C
T-Ignition (Min)	-15 °C

Mechanical and Housing

Housing	- [Not Specified]
---------	--------------------

Emergency Operation

Battery Voltage Lamp Ignition	198-254 V
Battery Voltage Lamp Operation	176-254

Approval and Application

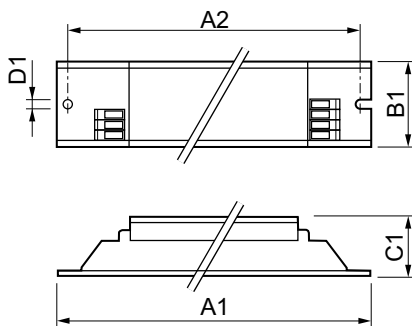
Energy Efficiency Index	A2
EMI 9 kHz ... 30 MHz	EN55015
EMI 30 MHz ... 1000 MHz	EN55022 level A

Safety Standard	IEC 61347-2-3
Performance Standard	IEC 60929
Quality Standard	ISO 9000:2000
Environmental Standard	ISO 14001
Harmonic Current Emission Standard	IEC 61000-3-2
EMC Immunity Standard	IEC 61547
Vibration Standard	IEC68-2-6 F c
Bumps Standard	IEC 68-2-29 Eb
Humidity Standard	EN 61347-2-3 clause 11
Approval Marks	CE marking ENEC certificate VDE-EMV certificate
Temperature Marking	Yes
Emergency Standard	IEC 60598-2-22
Hum And Noise Level	Inaudible

Product Data

Full product code	871150093160330
Order product name	HF-B 158/258 TL-D EII 220-240V 50/60Hz
EAN/UPC - Product	8711500931603
Order code	913700192966
Numerator - Quantity Per Pack	1
Numerator - Packs per outer box	12
Material Nr. (12NC)	913700192966
Net Weight (Piece)	0.240 kg

Dimensional drawing



HF-B 258 TL-D EII 220-240V 50/60Hz

Product	D1	C1	A1	A2	B1
HF-B 158/258 TL-D EII 220-240V 50/60Hz	4.2 mm	28.0 mm	280.0 mm	265.0 mm	30.0 mm

HF-Basic II for TL-D lamps

