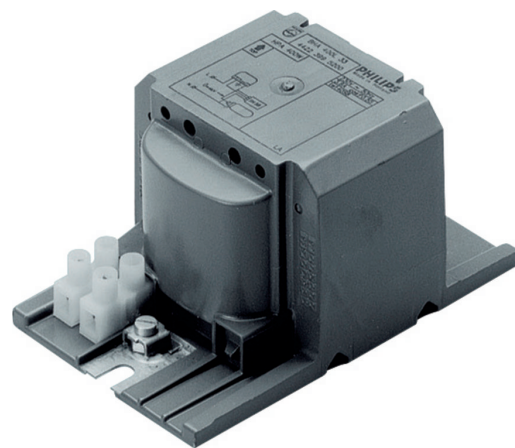


# PHILIPS

## Lighting



# HID-HeavyDuty BSX for SOX

## BSX 90 L40 230V 50Hz HD1-118

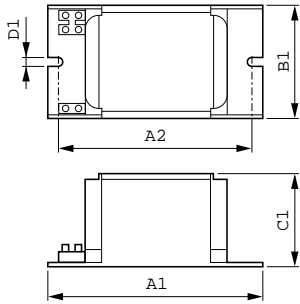
Encapsulated electromagnetic copper/iron ballasts for SOX and SOX-E lamps

### Product data

General Information		Rated Ballast-Lamp Power	
Application Code	L40		90 W
Design	HD1-118	Recommended Ignitor	ignitor SX76 (913650050566)
Lamp Type	SOX	<b>Temperature</b>	
Number of Lamps	1 piece/unit	T-Storage (Max)	130 °C
<b>Operating and Electrical</b>		T-Storage (Min)	-30 °C
Input Voltage	230 V	T-Winding (Max)	130 °C
Input Frequency	50 Hz	Delta-T Normal Conditions	65 °C
Mains Voltage Performance (AC)	-8% - +6%	<b>Approval and Application</b>	
Mains Voltage Safety (AC)	-10% - +10%	Approval Marks	CE marking ENEC certificate
Input Current with PF Correction	0.50 A	<b>Product Data</b>	
Input Current without PF Correction	0.94 A	Full product code	871150091993931
Power Factor without PF Compensation (Nom)	0.50	Order product name	BSX 90 L40 230V 50Hz HD1-118
Power Losses (Nom)	12.2 W	EAN/UPC - Product	8711500919939
<b>Wiring</b>		Order code	913650080426
Wire Striplength	7.0 mm	Numerator - Quantity Per Pack	1
Ballast Contact Wire Cross Section	0.70-6.00 mm <sup>2</sup>	Numerator - Packs per outer box	6
Connector Type	Screw	Material Nr. (12NC)	913650080426
<b>System characteristics</b>		Net Weight (Piece)	1.260 kg
Capacitor	10µF/250V		

# HID-HeavyDuty BSX for SOX

## Dimensional drawing



Product	D1	C1	A1	A2	B1
BSX 90 L40 230V 50Hz HD1-118	6.2 mm	53.0 mm	118.0 mm	103.0 mm	65.0 mm

BSX 90 L40 230V 50Hz HD1-118

